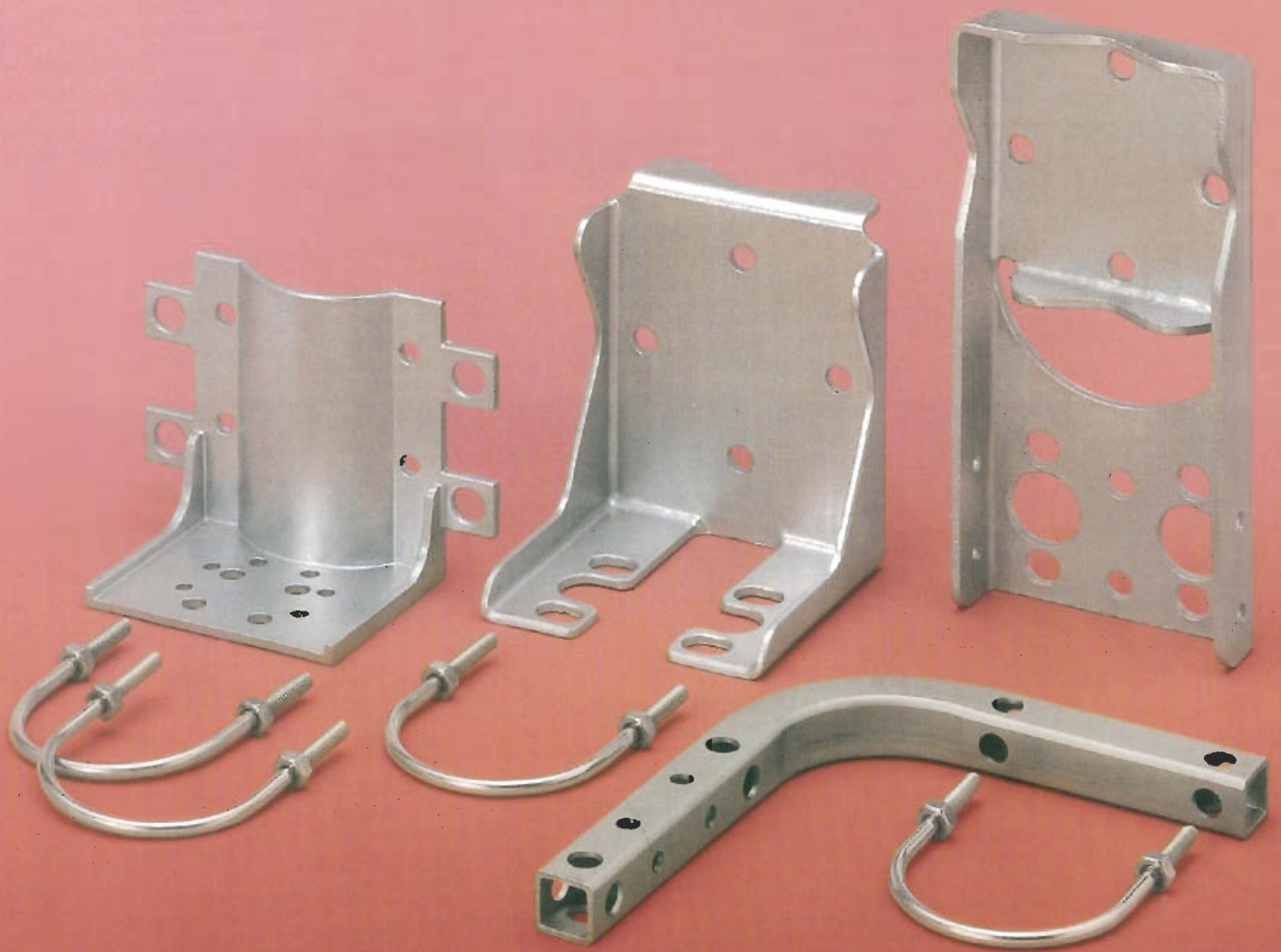


# STAINLESS STEEL MOUNTING BRACKETS FOR FIELD DEVICES

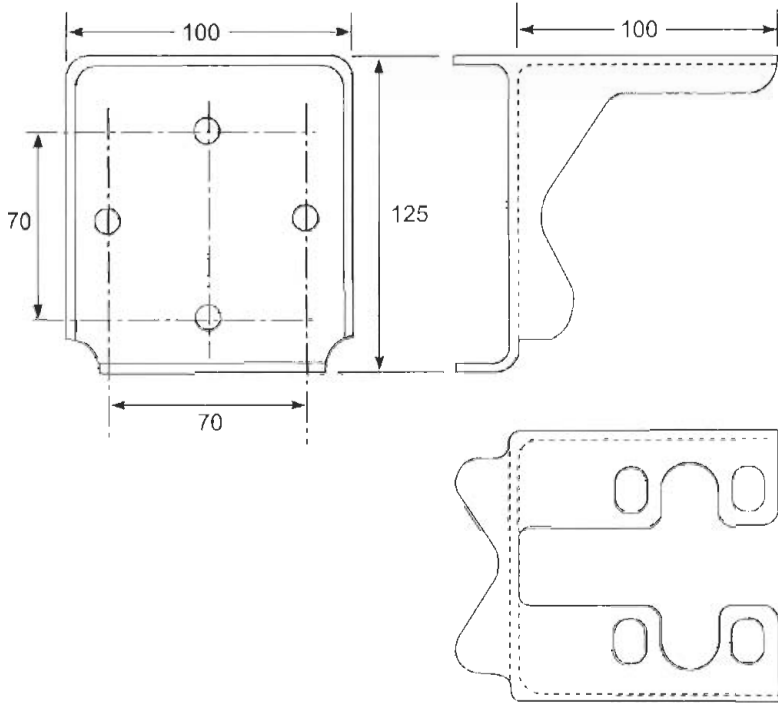


**INTERNATIONAL METAL ENGINEERING**

## Model 175RM

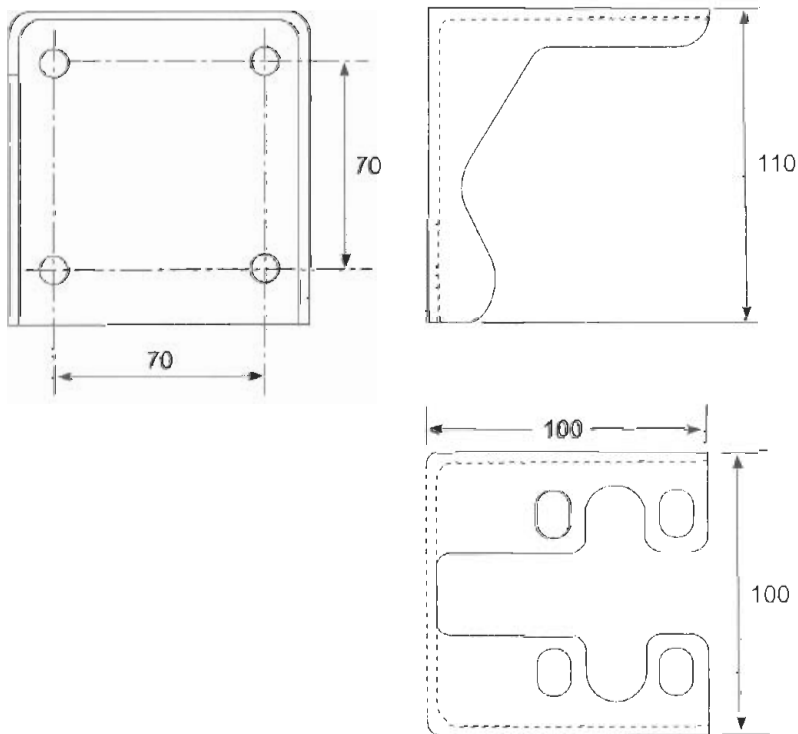
This is a traditional mounting bracket for pressure transmitters with provision for drain/vent valves.

Can be used to mount a transmitter either in a vertical or horizontal plane on to a 2" pipe, using a standard "U" Bolt.



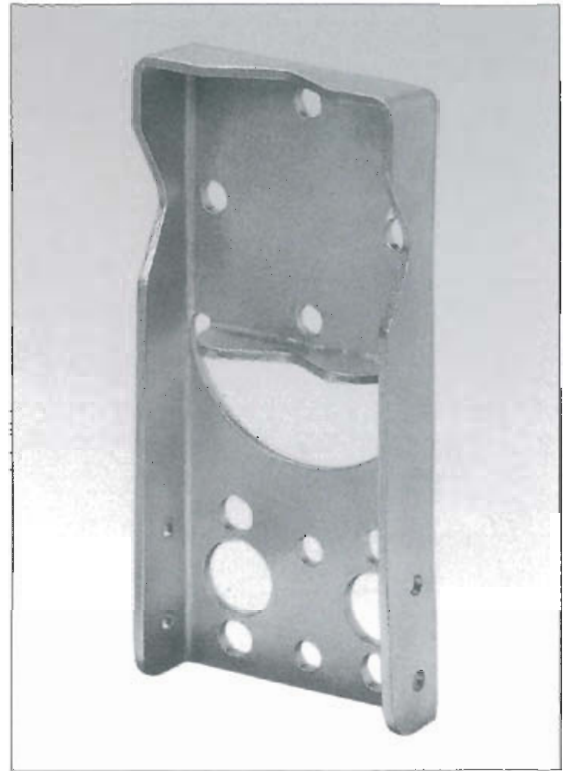
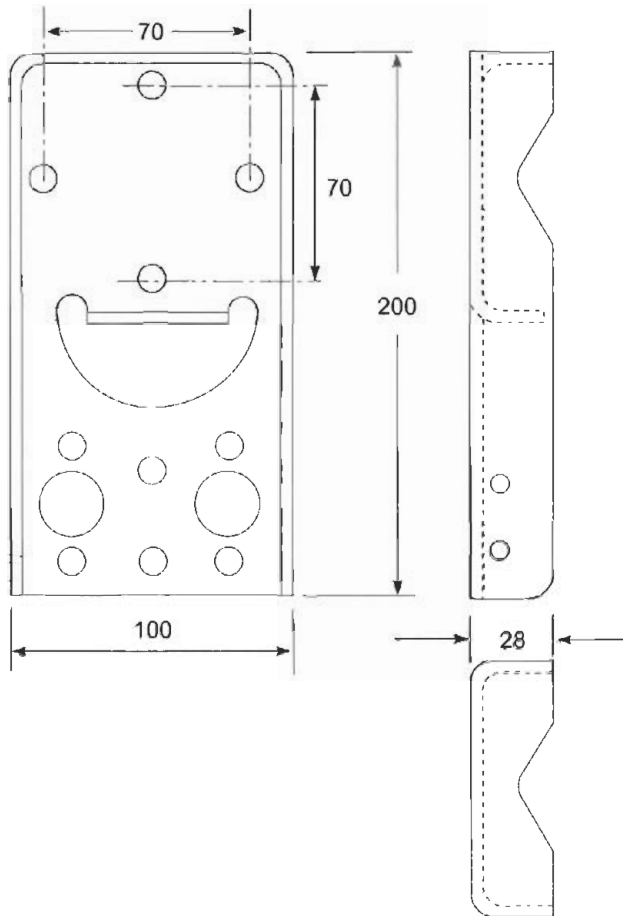
## Model 175RP

Same as Model 175RM, except suitable for mounting transmitters on a panel or wall. Provision is again made for drain/vent valves.



## Model 175YF

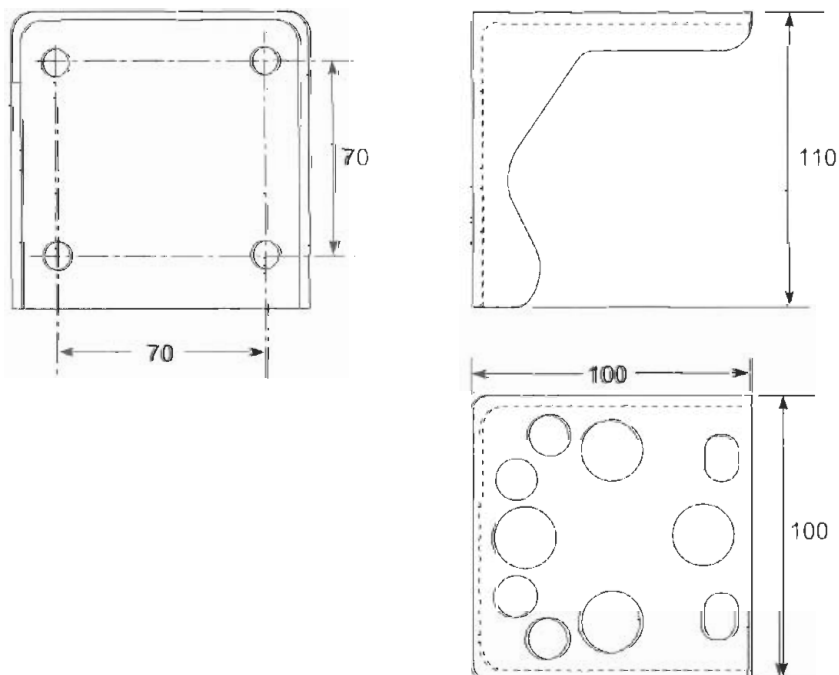
The traditional Flat mounting bracket that is commonly used with a variety of popular transmitters.



## Model 175RS

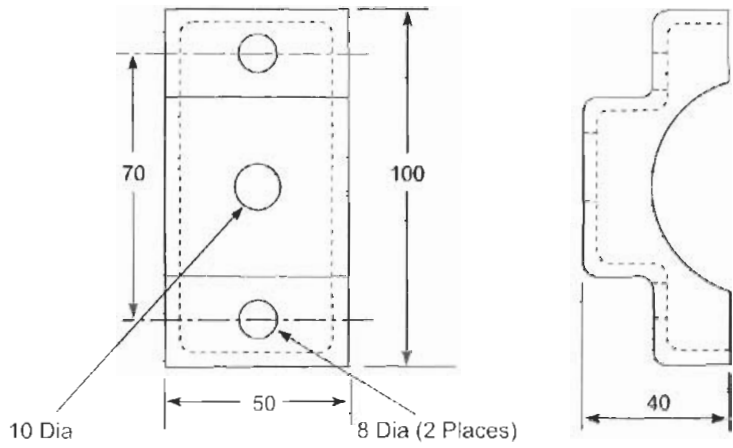
A simple mounting bracket with a wide choice of mounting holes to suit a variety of popular transmitters and field devices.

Can also be mounted on a 2" pipe or flat panel/wall.



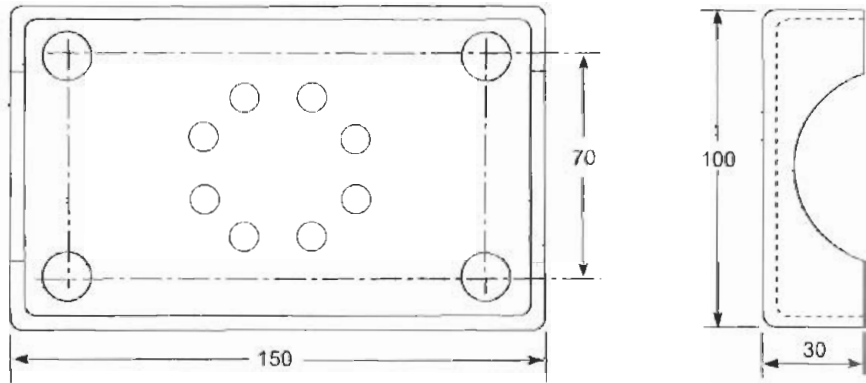
## Model 175RJ

Suitable for mounting manifolds and field devices to walls, panels and 2" Pipes. 2.8" (70mm) centers allow installation either using a U bolt or directly onto a wall using mounting bolts. The field device is held in place using a single stud.



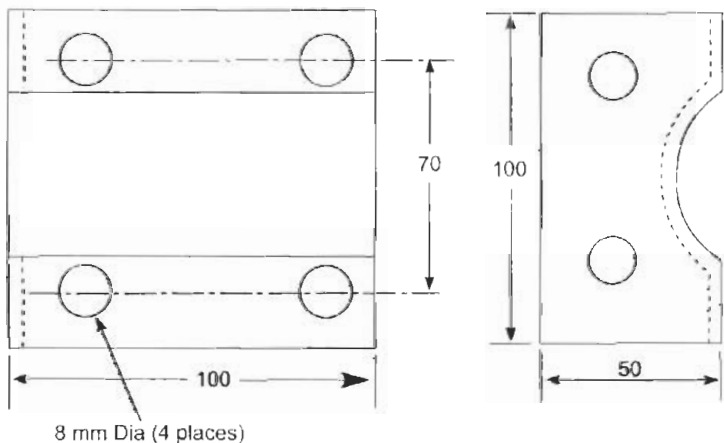
## Model 175PD

Suitable for mounting larger devices to walls, panels or 2" Pipes. Provision is provided for 2 "U" Bolts, and an array of mounting holes.



## Model 175BA

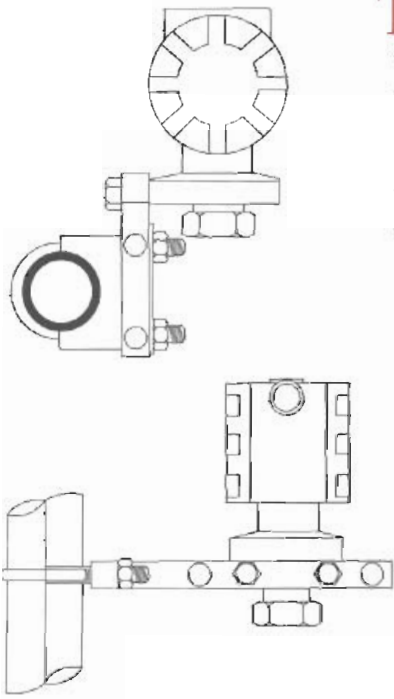
An inexpensive Universal mounting bracket, with provision for 2 "U" bolts and 2 mounting holes. A wide selection of mounting holes can be incorporated depending on customer specifications.



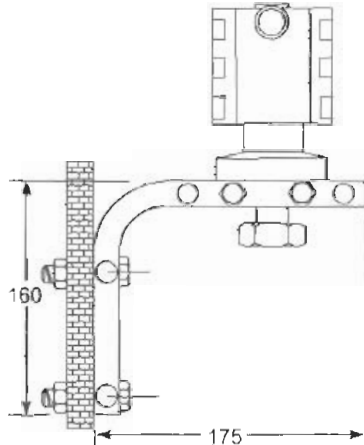
## Model 175RC

This simple solid square mounting bracket can be used to mount a variety of field devices, either in a vertical or horizontal plane to a 2" Pipe.

It can also be used to mount an instrument either on a solid wall or panel. Suitable mounting hardware can be selected from the table on page 5.



(PIPE MOUNTING USING 2" U BOLT)

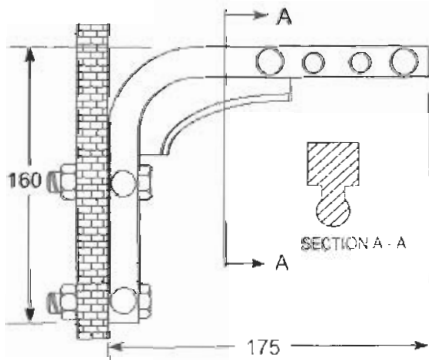


(PANEL OR WALL MOUNTING OPTION)



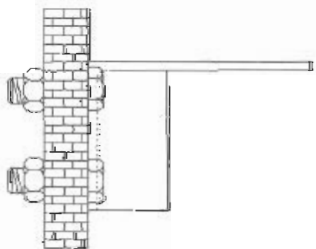
## Model 175RD

Identical to Model 175RC in every way, except with reinforced ribs for enhanced vibration characteristics

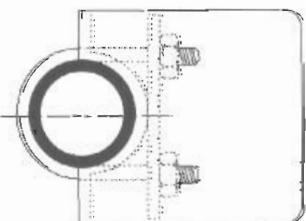


## Model 175BC

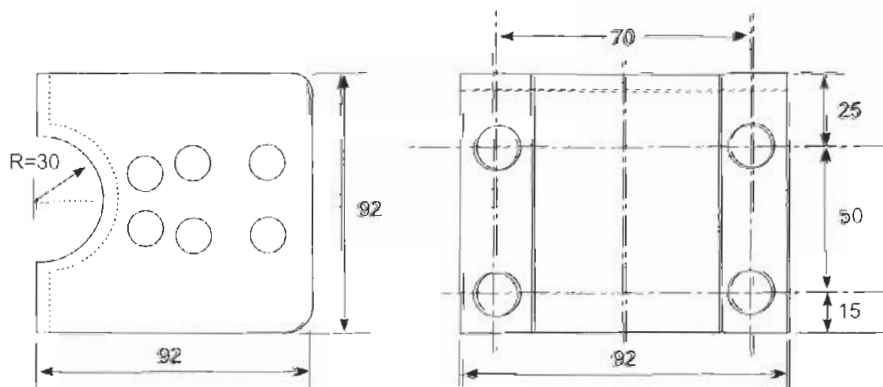
This Universal SS mounting bracket can be used to mount manifolds and field devices in a horizontal plane to a 2" Pipe. Can also be used for panel or wall mounting.



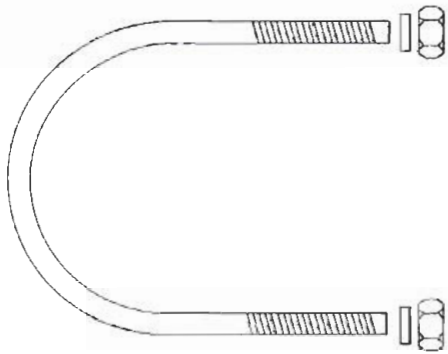
(PANEL OR WALL MOUNTING)



(PIPE MOUNTING USING 2" U BOLT)

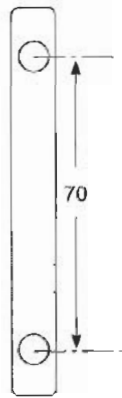


# MOUNTING ACCESSORIES



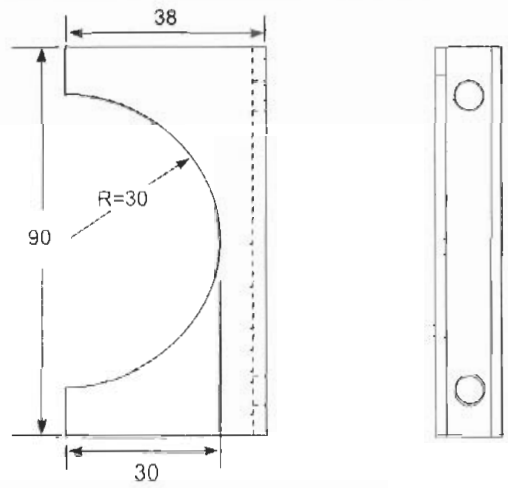
**P/N 17508**

"U" BOLT WITH MOUNTING NUTS AND WASHER, STAINLESS STEEL



**P/N 17502**

"U" BOLT RETAINER STAINLESS STEEL

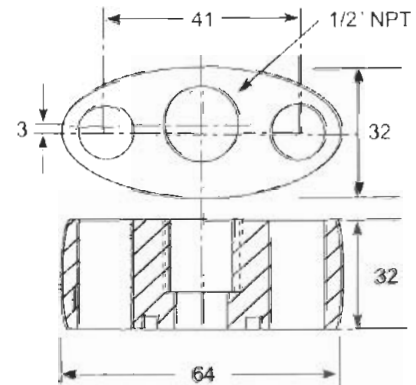


**P/N 17503**

2" PIPE RETAINER STAINLESS STEEL

## Model 105PA

ASS 316 adapter which fits all the popular pressure transmitters. Comes in a set of two with Teflon gaskets and a choice mounting accessories.



# MODEL NUMBERS AND ORDERING INFORMATION

MODEL	DESCRIPTION
175RM	Traditional Mounting Bracket for 2" Pipe Mounting
175RP	Traditional Mounting Bracket for Panel or Wall Mounting
175YF	Traditional Flat Mounting Bracket for 2" Pipe Mounting
175RS	Traditional Mounting Bracket for 2" Pipe, Wall or Panel
175RC	Square Rod, suitable for 2" Pipe, Wall or Panel Mounting
175RD	Reinforced, Square rod, suitable for 2" Pipe, Wall or Panel Mounting
175BC	Universal Mounting Bracket for 2" Pipe, Wall or Panel
175RJ	Bracket for Single Stud Mounting
175PD	Bracket for Multiple Stud or "U" Bolt Mounting
175BA	Miniature Mounting SS Bracket for 2" Pipe, Wall or Panel
17502	"U" Bolt Retainer
17503	2" Pipe Retainer
17508	2" "U" Bolt, with Mounting Nuts and Washer
17504	M 10 X 10mm Long, Mounting Bolts
17505	M 10 X 40mm Long, Mounting Bolts
17606	7/16" X 1" Long, Mounting Bolts
17607	7/16" X 1 1/2" Long, Mounting Bolts
17608	5/16" X 1" Long, Mounting Bolts
17609	5/16" X 1 1/2" Long, Mounting Bolts
	<b>SUFFIX MATERIAL</b>
- 01	SS 304
- 02	SS 316
- 03	Other, Specify

PART NO	DESCRIPTION
105PA - 01	2 SS 316 adapters with Teflon Gaskets
105PA - 02	2 SS 316 adapters with Teflon Gaskets, and 4 mounting bolts 7/16"
105PA - 03	2 SS 316 adapters with Teflon Gaskets, and 4 mounting bolts M10

## COMPANY PROFILE

Incorporated in 1991 by a group of engineers with a wealth of experience in instruments and process control, we have developed a complete line of supportive products for a range of industries ranging from the high demanding off shore oil exploration to the basic needs of the food and beverage industries. Our products are economically priced and designed to meet the needs of OEM's as well as end users with no compromise in quality.

In this new millennium, we strive to provide our customers worldwide a superior price/performance ratio in all our products. Fully equipped with state of the art manufacturing facilities and backed by a team of qualified and dedicated design and production engineers, our company is positioned to meet the high technological standards and the ever changing demands of process industries worldwide.



# OUR OTHER PRODUCTS

## THERMOWELL CATALOG



INTERNATIONAL METAL ENGINEERING

## ORIFICE PLATE AND ORIFICE FLANGE CATALOG



INTERNATIONAL METAL ENGINEERING

## THERMOCOUPLE HEADS AND TEMPERATURE ACCESSORIES



INTERNATIONAL METAL ENGINEERING

## INSTRUMENT MANIFOLDS & VALVES CATALOG



INTERNATIONAL METAL ENGINEERING

## Temperature Assembly



INTERNATIONAL METAL ENGINEERING

## INSTRUMENT ENCLOSURES AND CONDUIT BOXES



INTERNATIONAL METAL ENGINEERING

### PUSHNA INTERNATIONAL INC:

7614 Twin Hills DR

Houston, TX 77071

Tel: 713-777-3767

Fax: 713-777-0953

**INTMET.COM**  
INTERNATIONAL METAL ENGINEERING

### INTERNATIONAL METAL ENGINEERING:

Blk 13 Toa Payoh Lorong 8

#06-05 Braddell Tech Park, Singapore 319261

Tel: 65-6353 6506

Fax: 65-6353 6281

E-mail: [sales@intmet.com](mailto:sales@intmet.com)

Website: [www.intmet.com](http://www.intmet.com)