

- UV Resistant Glass Fibre Reinforced Plastic or Stainless Steel
- Tested to Withstand UV Exposure Equivalent for up to 20 Years
- Drip Lip for draining snow and rain
- Easy Access to Instrument
- 2 "U" bolts allow for secure mounting
- Colors similar to RAL 7035 (Light Grey)\*

\* Other colors on request

### Introduction

This simple instrument sunshade is designed to protect the instruments from Sunlight, Rain, Snow, Dust accumulation and Mechanical damages. It can be easily mounted on a 2 Inch Pipe using the mounting accessories provided

The Model 1200 provides excellent corrosion resistant and long life even under the hardest environmental conditions ranging from the blazing heat in the Middle East to the Freezing temperatures in the Frozen North. The unit has been tested to NIST traceable standards for up to 20 years equivalent.

The Sunshade can be mounted behind the pipe stand or between the instrument and pipe stand depending on the height of the 2" mounting pipe. Two Stainless Steel "U" bolts along with 2 sets of SS316 IME Model 17524 Pipe Mounting Retainers are provided with each Sunshade. A mounting plate assembly IME Model no 1200MP-51-A1/A2, can also be provided depending on the application. Custom designed mounting plates and brackets are available on request.

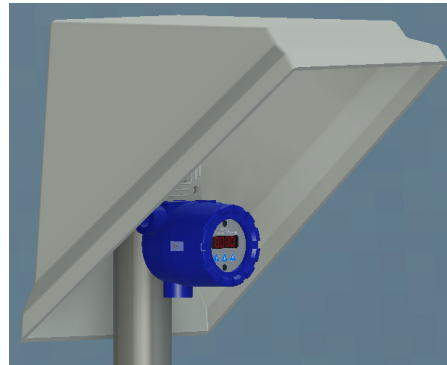
GRP material is available in two grades HY0102 BMC which meets UL 94 HB rating and FR-LS-C1 which meets BS476 part 7 class 2 rating. For more details about material properties and available sizes please contact IME.

### Available Dimension

Standard Type

Model	Material			
1200P	Glass Fibre Reinforced Plastic			
1200T	Stainless Steel (SS316), Electro-Polished			
	Code	mension(mm)		
	xx	W	L	H
	-01	180	300	120
	-02	190	380	330
	-03	230	300	180
	-04	250	260	315
	-05	250	275	100
	-06	265	250	240
	-07	300	300	250
	-08	320	420	370
	-09	360	420	370
	-10	360	300	120
	-11	400	450	320
	-12	440	690	440
	-13	450	450	275
	-14	500	300	250
	-15	560	680	470
	-16	875	425	450
	-17	400	320	250
	-18	600	300	300
	-19	300	600	120
	-20	450	450	150
	-51	210	360	120

\* W Dimension is 10mm approximately smaller than the above table due to taper



### Specifications

#### Material of Construction

Stainless Steel (SS316, Electro Polished) or GRP  
(See table below)

#### Temperature Range. Ambient

-50°C (-58°F) to +85°C (185°F)

#### Density

1.8-1.9 g /cm<sup>3</sup>

#### Accelerated UV Test

ASTM G155 for equivalent of 20 years

#### Flame Retardant

UL HB or BS476 CLASS 2

#### Water absorption

JB3961 15mg

#### Tensile Strength

GB1043 45 Mpa

#### Flexural Strength

GB3961 145 Mpa

#### Dielectric strength

GB1048 12.6 Kv/mm

#### Drip Lip

Designed with Drip Lip to allow rain and snow to run off.

#### Mounting Method

2 Inch Pipe Mounting or Wall Mounting.

#### Thickness of the Sunshade

Approximately 3mm for SS and 3-6mm for GRP based on the size

#### Accessories (All Stainless Steel)

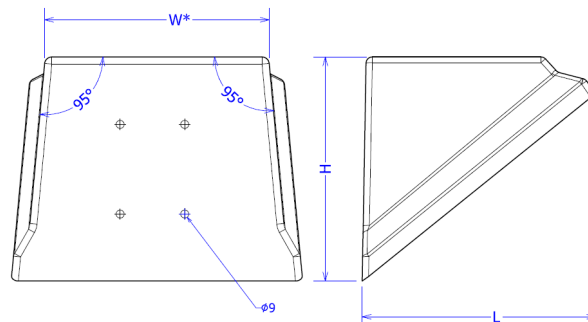
2 Inch Pipe Retainer (IME P/N : 17524)

2 Inch "U" Bolt, Nuts and Washers ( IME P/N :17508 )

Mounting Plate assembly (IME P/N: 1200MP-51-A1 or A2)

#### Storage

Tapered walls allow for space saving during Transportation and storage



## MOUNTING ACCESSORIES FOR SUNSHADE

### 2" Pipe Retainer

This simple 2 Inch Pipe Retainer (IME P/N 17524) constructed out of SS316 Stainless Steel, is used to mount the Sunshade on 2 Inch Pipe.

IME Model 17508 consists of a complete assembly of a "U" bolt along with the nuts and washers will be supplied with 2 Inch Pipe Retainer.

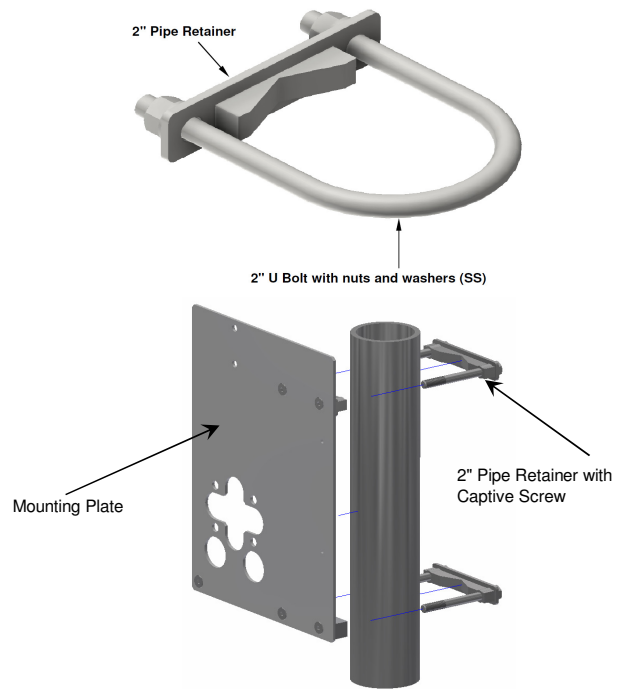
### Mounting Plate Assembly

This 3mm SS316 universal mounting plate can be used to mount any kind of instrument on the 2" pipe. There is additional provision to mount any sunshade on the mounting plate.

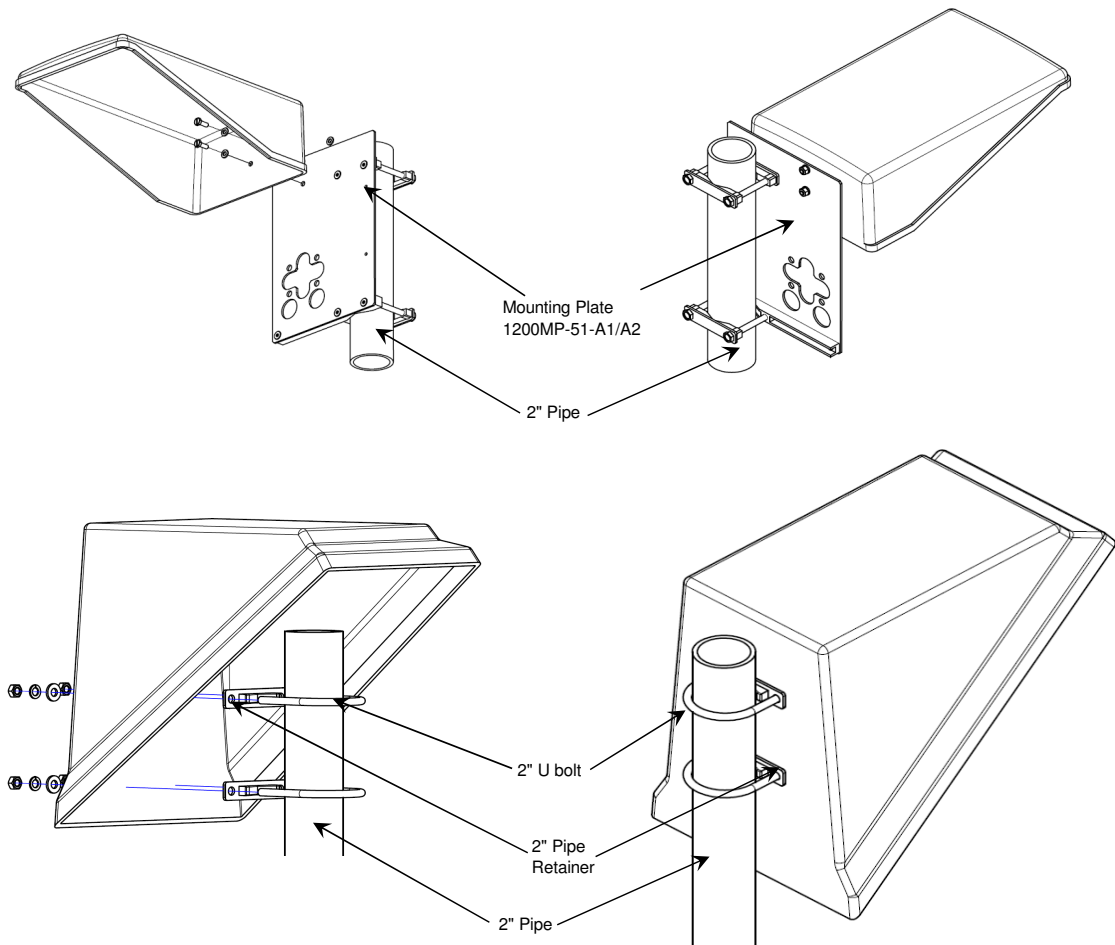
Retainer Brackets are made in SS316 casting

M8 Captive screws are used easy handling.

IME Model 1200MP-51-A1 & 1200MP-51-A2 consist of complete assembly with 2" pipe retainers, Bolts and Mounting Plate. Request IME for dimensions of the mounting plate.



### Mounting Example



**Note: 2" PIPE STAND CAN BE MOUNTED EITHER INSIDE THE SUNSHADE OR OUTSIDE AS SHOWN ABOVE**

## INTERNATIONAL METAL ENGINEERING

Blk13, Toa Payoh Lorong 8, #06-05 Braddell Tech Park, Singapore 319261, Tel: +65-6353 6506; Fax: +65-6353 6281  
Email: sales@intmet.com

Website: www.intmet.com