

INTERNATIONAL METAL ENGINEERING

MODEL 1080 ALUMINUM EXPLOSION PROOF THERMOCOUPLE HEAD

- EXPLOSION PROOF CERTIFIED
- NEMA 4X AND IP66/68 CONSTRUCTION
- WIDE SELECTION OF CONDUIT SIZES
- OPTION FOR A CUSTOMIZED SS NAMEPLATE
- WIDE RANGE OF ACCESSORIES



Introduction

Material of Construction:

Copper-Free Die-cast Aluminum

Certification:

FM/CSA/ATEX/IECEX Explosion Proof Certified, NEMA 4X and IP66/68

Connections

1/2" NPT, 3/4" NPT, 1/2" BSP, M20x1.5P

Mounting Holes

See attached drawing

Surface Finishing

Epoxy Coated

"O" Ring

Buna "N"

Weight

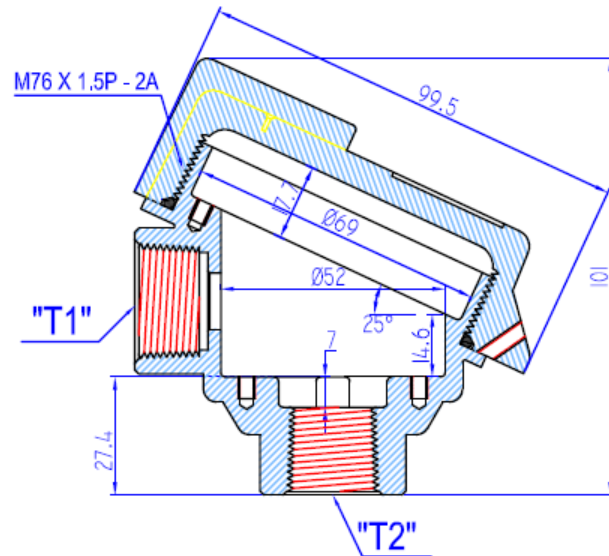
0.5 KG (1.1 lbs)

Accessories

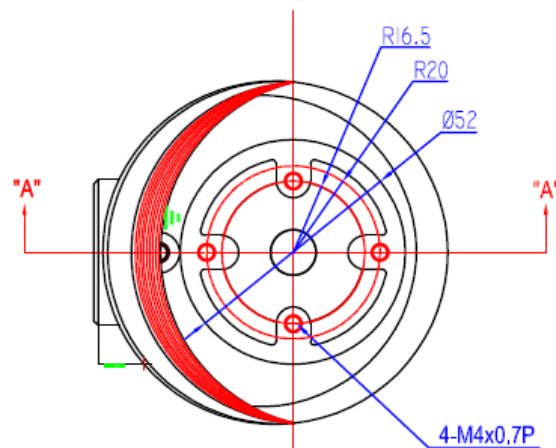
SS Ball Chain, Terminal Block (Ceramic/Bakelite, Optional)
Custom Designed SS Nameplate

Dimensions

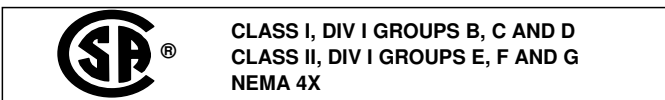
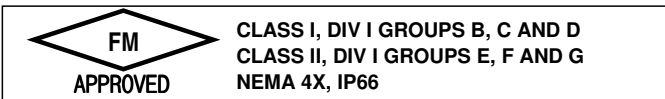
Assembly Drawing



M4 X 0.7 Mounting Hole Positions



Certification System



INTERNATIONAL METAL ENGINEERING

MODEL 1080 ALUMINUM EXPLOSION PROOF THERMOCOUPLE HEAD

IME Model 1080 Series Aluminum Thermocouple Heads are designed specifically for explosion proof applications and constructed out of Die-Cast Copper-Free Aluminum to withstand applications where aggressive atmospheres prevail.

This housing accommodates a terminal block or head mounted transmitter 50mm (2.0") in diameter that can be mounted using M4 screws as indicated in the attached drawing. Some units as indicated has a provision for a customer designed SS nameplate with information such as model number, company name, logo, and website etc.

Ordering Information for Explosion Proof Heads

Model	Description																		
1080AE	FM/CSA Ex-Proof Certified, NEMA 4, IP66, Aluminum Thermocouple Head, Grey Painted																		
1080AA	FM/CSA Ex-Proof Certified, NEMA 4, IP66, Aluminum Thermocouple Head with Provision for Name Plate, Grey Painted																		
1080AT	ATEX / IECEx Ex-Proof Certified, IP68, Aluminum Thermocouple Head with Provision for Name Plate, Grey Painted																		
1080AM	FM / CSA / ATEX / IECEx Ex-Proof Certified, NEMA 4, IP66/68, Aluminum Thermocouple Head with Provision for Name Plate, Grey Painted																		
1080WE	FM/CSA Ex-Proof Certified, NEMA 4X, IP66, Aluminum Thermocouple Head with Provision for Name Plate Blue Epoxy Painted																		
1080WT	ATEX / IECEx Ex-Proof Certified, IP68, Aluminum Thermocouple Head with Provision for Name Plate, Blue Epoxy Painted																		
1080WM	FM / CSA / ATEX / IECEx Ex-Proof Certified, NEMA 4X, IP66/68, Aluminum Thermocouple Head with Provision for Name Plate, Blue Epoxy Painted																		
	<table border="1"> <thead> <tr> <th>Code</th> <th>Conduit Size (T1)</th> <th>Instrument Connection (T2)</th> </tr> </thead> <tbody> <tr> <td>01</td> <td>T1=3/4" NPT</td> <td>T2=1/2"NPT</td> </tr> <tr> <td>02</td> <td>T1=1/2" NPT</td> <td>T2=1/2"NPT</td> </tr> <tr> <td>08</td> <td>T1=M20X1.5 (See Note 2)</td> <td>T2=1/2"NPT</td> </tr> <tr> <td>33</td> <td>T1=3/4" NPT</td> <td>T2=3/4" NPT</td> </tr> <tr> <td>XX</td> <td>Specify</td> <td>Specify</td> </tr> </tbody> </table>	Code	Conduit Size (T1)	Instrument Connection (T2)	01	T1=3/4" NPT	T2=1/2"NPT	02	T1=1/2" NPT	T2=1/2"NPT	08	T1=M20X1.5 (See Note 2)	T2=1/2"NPT	33	T1=3/4" NPT	T2=3/4" NPT	XX	Specify	Specify
Code	Conduit Size (T1)	Instrument Connection (T2)																	
01	T1=3/4" NPT	T2=1/2"NPT																	
02	T1=1/2" NPT	T2=1/2"NPT																	
08	T1=M20X1.5 (See Note 2)	T2=1/2"NPT																	
33	T1=3/4" NPT	T2=3/4" NPT																	
XX	Specify	Specify																	

1080WM	-	01	←	Typical Model Number
--------	---	----	---	----------------------

Note :

- BSP Thread is not approved by FM, CSA, ATEX & IECEx.
- M20X1.5 is not Certified By CSA

Ordering Information for General Purpose Heads

Model	Description																					
1080AN	Aluminum Thermocouple Head with Provision for Name Plate, Grey Painted																					
1080WN	Aluminum Thermocouple Head with Provision for Name Plate, Blue Epoxy Painted																					
1080WG	Aluminum Thermocouple Head with Tempered Glass Window, Blue Epoxy Painted																					
	<table border="1"> <thead> <tr> <th>Code</th> <th>Conduit Size (T1)</th> <th>Instrument Connection (T2)</th> </tr> </thead> <tbody> <tr> <td>01</td> <td>T1=3/4" NPT</td> <td>T2=1/2"NPT</td> </tr> <tr> <td>02</td> <td>T1=1/2" NPT</td> <td>T2=1/2"NPT</td> </tr> <tr> <td>05</td> <td>T1=M20X1.5</td> <td>T2=1/2"BSP</td> </tr> <tr> <td>08</td> <td>T1=M20X1.5</td> <td>T2=1/2"NPT</td> </tr> <tr> <td>33</td> <td>T1=3/4" NPT</td> <td>T2=3/4" NPT</td> </tr> <tr> <td>XX</td> <td>Specify</td> <td>Specify</td> </tr> </tbody> </table>	Code	Conduit Size (T1)	Instrument Connection (T2)	01	T1=3/4" NPT	T2=1/2"NPT	02	T1=1/2" NPT	T2=1/2"NPT	05	T1=M20X1.5	T2=1/2"BSP	08	T1=M20X1.5	T2=1/2"NPT	33	T1=3/4" NPT	T2=3/4" NPT	XX	Specify	Specify
Code	Conduit Size (T1)	Instrument Connection (T2)																				
01	T1=3/4" NPT	T2=1/2"NPT																				
02	T1=1/2" NPT	T2=1/2"NPT																				
05	T1=M20X1.5	T2=1/2"BSP																				
08	T1=M20X1.5	T2=1/2"NPT																				
33	T1=3/4" NPT	T2=3/4" NPT																				
XX	Specify	Specify																				

1080AN	-	01	←	Typical Model Number
--------	---	----	---	----------------------