

INTERNATIONAL METAL ENGINEERING

MODEL 7080 EXPLOSION PROOF JUNCTION BOX

- EXPLOSION PROOF CERTIFIED
- NEMA 4X AND IP68 CONSTRUCTION
- CHOICE OF SS316 AND COPPER-FREE ALUMINUM
- CHOICE OF TEMPERED GLASS COVER OR BLIND COVER
- WIDE SELECTION OF CONDUIT SIZES
- OPTION FOR A CUSTOMIZE SS NAMEPLATES



Introduction

Material of Construction:

Copper-Free Aluminum or SS316

Certification:

FM, CSA, ATEX & IECEX

Connections

1/2" NPT, 3/4" NPT, M20x1.5

Mounting Holes

As per requirement

Surface Finishing

Epoxy Coated for Aluminum; Electro Polish for SS316

"O" Ring

Buna "N"





Weight

0.8 Kg (1.7 lbs) for Aluminum; 1.6 Kg (3.5 lbs) for SS316

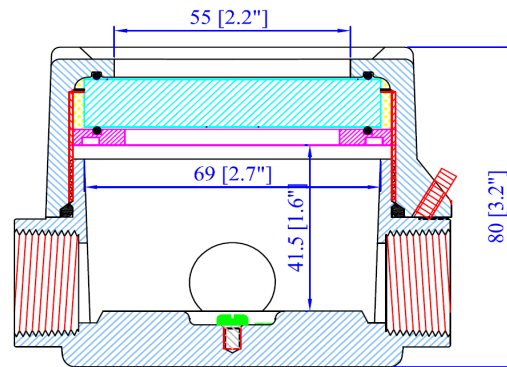
Accessories

Customized SS Nameplate

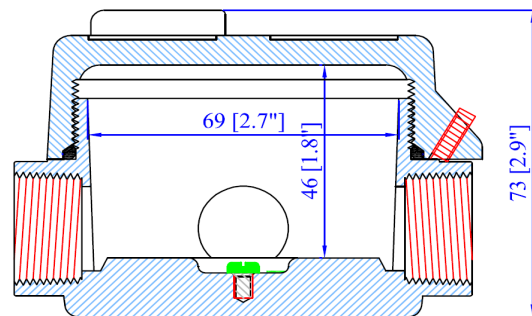
Certification System

| | |
|--|---|
|  <p>FM APPROVED</p> | <p>CLASS I, DIV I GROUPS B, C & D CLASS II/III, DIV I GROUPS E, F & G NEMA 4X, IP66</p> |
|  <p>CSA®</p> | <p>CLASS I, DIV I GROUPS B, C & D CLASS II/III, DIV I GROUPS E, F & G NEMA 4X</p> |
|  <p>Ex</p> | <p>II 2 G D Ex db IIC Ex tb A21 IP68 Ta = -40 °C to +85 °C</p> |
|  <p>IECEX</p> | <p>Ex db IIC Ex tb A21 IP68 Ta = -40 °C to +85 °C</p> |

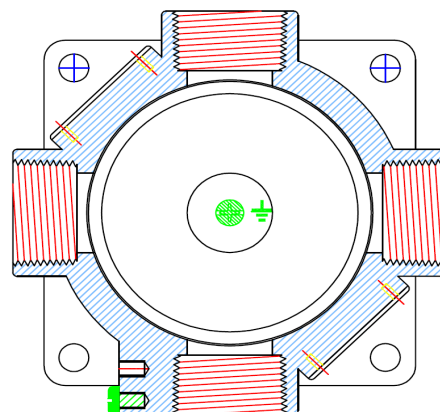
Dimensions (Based on Aluminum Version)



CROSS SECTION WITH GLASS COVER



CROSS SECTION WITH BLIND COVER



TOP VIEW OF 4 ENTRIES

INTERNATIONAL METAL ENGINEERING

MODEL 7080 EXPLOSION PROOF JUNCTION BOX

IME Model 7080 Series Junction Boxes are designed to accommodate circuit boards and devices having a maximum diameter of 2.6"(66mm). Specifically designed for explosion proof applications, the housing is available in either a die-cast Copper-Free Aluminum (NEMA 4X) version or investment casted SS316 to withstand applications where aggressive atmospheres prevail. The housing can be ordered with either a tempered glass cover or solid cover. There is a wide choice of conduit and instrument entries.

Order Information

| Model | Description |
|--------|---|
| 7080AN | Copper-Free Aluminum Junction Box With Blind Cover, General Purpose, Epoxy Coated |
| 7080AE | Copper-Free Aluminum Junction Box With Blind Cover, FM & CSA Explosion Proof Certified, NEMA 4X/ IP66, Epoxy Coated |
| 7080AT | Copper-Free Aluminum Junction Box With Blind Cover, ATEX & IECEx Explosion Proof Certified, IP68, Epoxy Coated |
| 7080AM | Copper-Free Aluminum Junction Box With Blind Cover, FM, CSA, ATEX & IECEx Explosion Proof Certified, NEMA 4X, IP66/ IP68 Epoxy Coated |
| 7080WN | Copper-Free Aluminum Junction Box With Tempered Glass Cover, General Purpose, Epoxy Coated |
| 7080WE | Copper-Free Aluminum Junction Box With Tempered Glass Cover, FM & CSA Explosion Proof Certified, NEMA 4X/ IP66, Epoxy Coated |
| 7080WT | Copper-Free Aluminum Junction Box With Tempered Glass Cover, ATEX & IECEx Explosion Proof Certified, IP68, Epoxy Coated |
| 7080WM | Copper-Free Aluminum Junction Box With Tempered Glass Cover, FM, CSA, ATEX & IECEx Explosion Proof Certified, NEMA 4X, IP66/ IP68, Epoxy Coated |
| 7080TN | Stainless Steel Junction Box With Blind Cover, General Purpose |
| 7080TE | Stainless Steel Junction Box With Blind Cover, FM & CSA Explosion Proof Certified, NEMA 4X/ IP66 |
| 7080TT | Stainless Steel Junction Box With Blind Cover, ATEX & IECEx Explosion Proof Certified, IP68 |
| 7080TM | Stainless Steel Junction Box With Blind Cover, FM, CSA, ATEX & IECEx Explosion Proof Certified, NEMA 4X, IP66/ IP68 |
| 7080SN | Stainless Steel Junction Box With Tempered Glass Cover, General Purpose |
| 7080SE | Stainless Steel Junction Box With Tempered Glass Cover, FM & CSA Explosion Proof Certified, NEMA 4X/ IP66 |
| 7080ST | Stainless Steel Junction Box With Tempered Glass Cover, ATEX & IECEx Explosion Proof Certified, IP68 |
| 7080SM | Stainless Steel Junction Box With Tempered Glass Cover, FM, CSA, ATEX & IECEx Explosion Proof Certified, NEMA 4X, IP66/ IP68 |

| Code | Entries (See Details Below) |
|------|-----------------------------|
| 00 | 1 Entry |
| 01 | 2 Entries at 180° |
| 02 | 2 Entries at 90° |
| 03 | 3 Entries |
| 04 | 4 Entries |

| Code | Connections |
|------|------------------------|
| 05 | 1/2" NPT |
| 07 | 3/4" NPT |
| 22 | M20 x1.5P (SEE NOTE 1) |

7080SM 02 07 ← Typical Model Number

Note:

1. A temporary metric label is required when a metric thread is selected. However this thread option is not allowed in Canada.

