

## TEMPERATURE INDICATING SWITCH WITH DUAL RELAYS

8080PR

- INPUT THERMOCOUPLE AND RTD
- 4 DIGIT LED DISPLAY IN DEGREES C OR F
- RUGGED NEMA4X, IP68 ENCLOSURE
- CHOICE OF COPPER-FREE ALUMINUM OR SS316 ENCLOSURE
- EXPLOSION PROOF CERTIFIED
- 3 YEAR WARRANTY

### Introduction

Model 8080PR allows two independent alarms to be assigned over the temperature range of the sensor. The unit will accept an input from a Pt100 RTD or Type J or K thermocouple and provide an indication on a bright 4 digit LED. The unit serves a dual purpose in addition to local indication of temperature, which is switch selectable to read °C or °F, it also serves as an accurate and repeatable temperature switch.

### Description

Model 8080PR Temperature Indicators are designed for using in process industries where vibration, inclement weather and corrosive atmospheres prevail. The electronics are enclosed in a copper-free epoxy coated Aluminum housing. For more aggressive environments, a SS316 housing is also available. Housings meet the requirements of NEMA 4X & IP68, and are also certified Explosion Proof by FM/CSA/ATEX/IECEX.






### LED Meter

The Model 8080PR has a 4 digit LED display and may be configured to read -999 to 9999. The decimal point location, choice of °C or °F, alarm settings etc can be adjusted via the Front Panel.

### Mounting

The Model 8080PR can be either remotely mounted or mounted directly on the thermowell/nipple assembly. For mounting the unit on a wall or 2" pipe, a wide choice of stainless steel mounting brackets are also available.

### Certification System

	CLASS I, DIV I GROUPS B, C AND D CLASS II/III, DIV I GROUPS E, F AND G NEMA 4X, T6	
	CLASS I, DIV I GROUPS B, C AND D CLASS II/III, DIV I GROUPS E, F AND G NEMA 4X, T6	
	II 2G D Ex db IIC T6 Gb Ex tb IIIC T85 °C Db IP68 Ta = -40 °C to +60 °C	
	Ex db IIC T6 Gb Ex tb IIIC T85 °C Db IP68 Ta = -40 °C to +60 °C	



### Functional Specifications

#### Indication Accuracy

0.1% of Calibrated range ±1 digit

#### Set Point Adjustment

10 to 100% of full scale, user selectable

#### Reset

Automatically when the input falls below the alarm set point by approximately ±0.5% of full scale.

#### Alarm Set Point Accuracy

±0.5% of full scale.

#### Alarm Status Indication

LED on front panel

#### Display Height

10mm (0.4") high

#### Alarm Output

2 sets SPDT, 1 from C, rated 10A @ 250V AC, 50/60Hz

#### Stability Over Time

0.1% of calibrated range ±1 digit over 6 months

#### Over Range Indication

Indication of "High" on Display

#### Response Time

Typically 75ms

#### Supply Voltage

18 to 28V DC

#### Operating Temperature

RTD Pt100: -40 °C to +60 °C

Thermocouple Type J / K: 0 °C to +60 °C

#### Weight

0.9Kg (2 lbs) for Aluminum Unit and 1.4Kg (3 lbs) for SS316 unit

#### Material of Construction of Enclosure

Epoxy coated Copper-Free Aluminum or SS316 as specified

#### O Rings

Buna N (Nitrile)

#### Optional Accessories

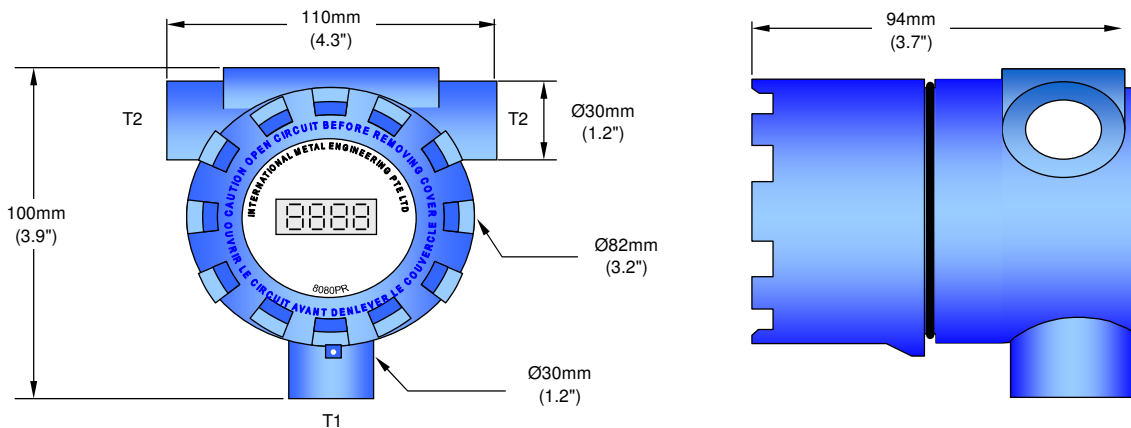
Mounting Brackets (Model 175PM, 175RC, 175NR, 175MM)

## ORDERING INFORMATION FOR 8080PR

Model	Description					
8080PR	Temperature Indicating Switch With Dual Relays					
	<b>Code</b>	<b>Options, Housing</b>				
	<b>A</b>	Die cast Aluminum, Epoxy Coated				
	<b>T</b>	SS316, Electro Polished				
	<b>Code</b>	<b>Instrument Connection (T1)</b>	<b>Conduit Size (T2)</b>			
	01	M16 x 2P (See note 1)	3/4" NPT			
	02	M16 x 2P (See note 1)	1/2" NPT			
	03	M16 x 2P (See note 1)	M20 x 1.5P			
	04	1/2" NPT	3/4" NPT			
	05	1/2" NPT	1/2" NPT			
	06	1/2" NPT	M20 x 1.5P			
	07	3/4" NPT	3/4" NPT			
	08	3/4" NPT	1/2" NPT			
	09	3/4" NPT	M20 x 1.5P			
	10	1/2" BSP	3/4" NPT			
	11	1/2" BSP	1/2" NPT			
	12	1/2" BSP	M20 x 1.5P			
	13	3/4" NPT	None			
	14	M20 x 1.5P	None			
	16	1/2" BSP	None			
	17	1/2" NPT	None			
	<b>Code</b>	<b>Certification</b>				
	NN	None				
	E1	FM / CSA / ATEX / IECEx Explosion Proof Certified, NEMA 4X, IP68, T6				
	<b>Code</b>	<b>Accessories</b>				
	RC	Model 175RC Mounting Bracket (See note 1)				
	PM	Model 175PM Mounting Bracket (See note 1)				
	NR	Model 175NR Mounting Bracket				
	MM	Model 175MM Mounting Bracket				
	<b>Code</b>	<b>2 Inch "U" Bolt with Nuts and Washers</b>				
	00	None				
	01	Model 17508, 1 Set (For Model 175RC)				
	02	Model 17508, 2 Sets (For Model 175PM & 175NR)				
<b>8080PR</b>	<b>A</b>	<b>02</b>	<b>E1</b>	<b>PM</b>	<b>02</b>	<b>Typical Model Number</b>

Note:

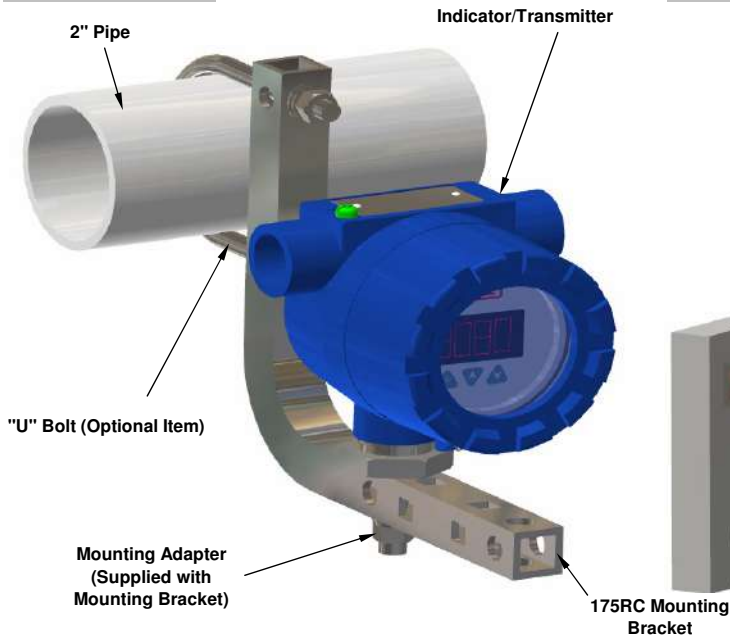
- 1 Ports with M16 x 2P thread are not through holes, they are for use with Model 175RC and 175PM Mounting Brackets only.
- 2 BSP threads are not approved by FM, CSA, ATEX & IECEx.



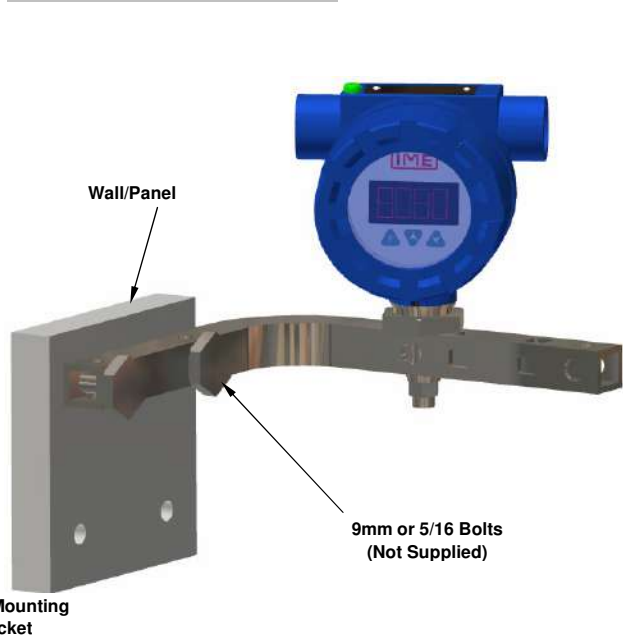
## MOUNTING BRACKETS FOR INDICATORS AND TRANSMITTERS

### Mounting Methods For Model 175RC

#### Pipe Mounting

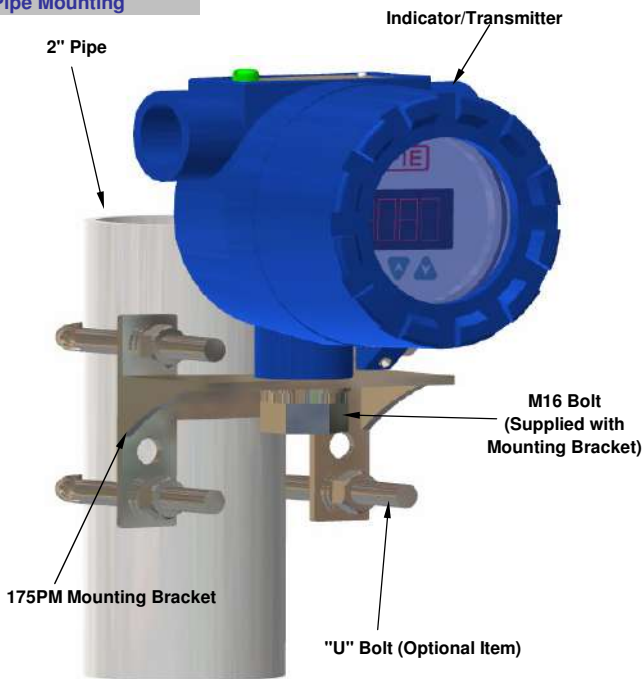


#### Wall / Panel Mounting

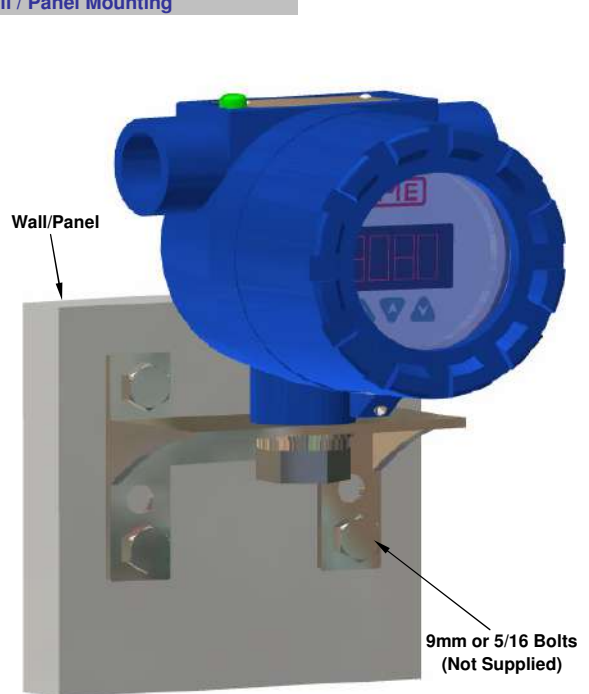


### Mounting Methods For Model 175PM

#### Pipe Mounting



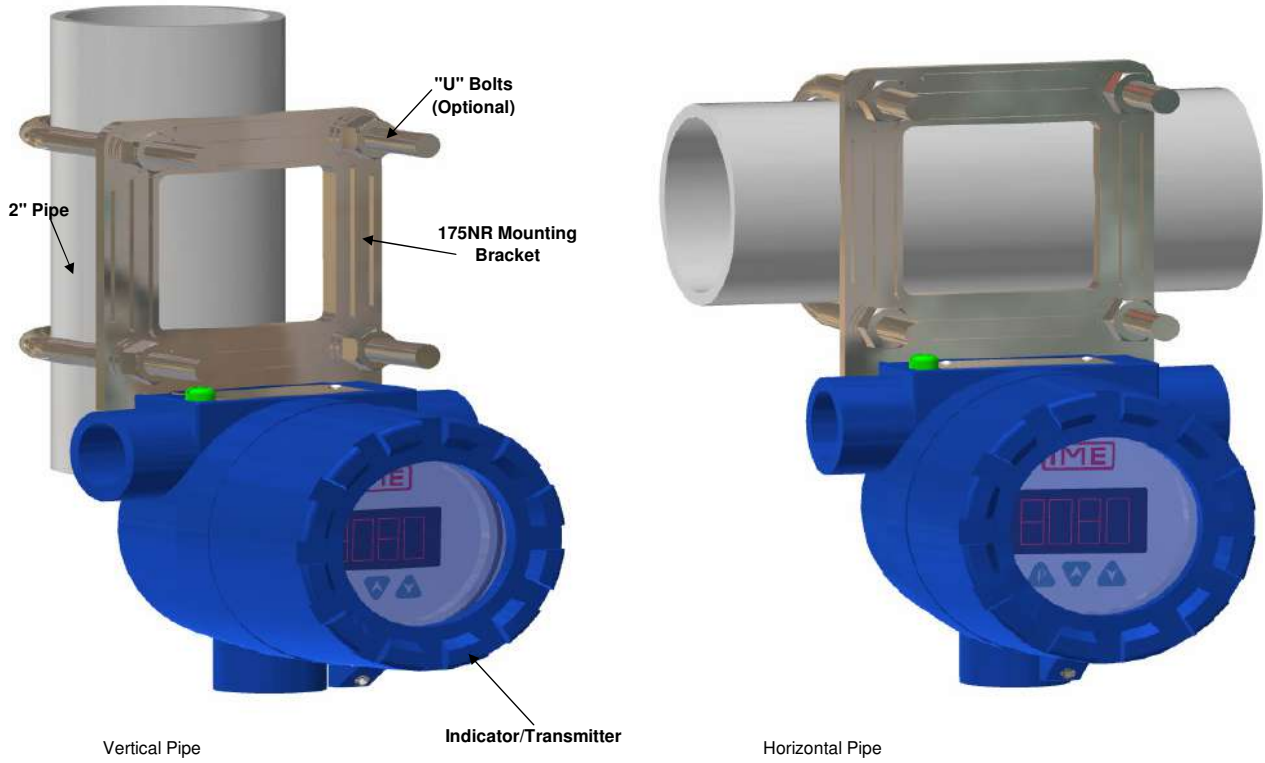
#### Wall / Panel Mounting



## MOUNTING BRACKETS FOR INDICATORS AND TRANSMITTERS

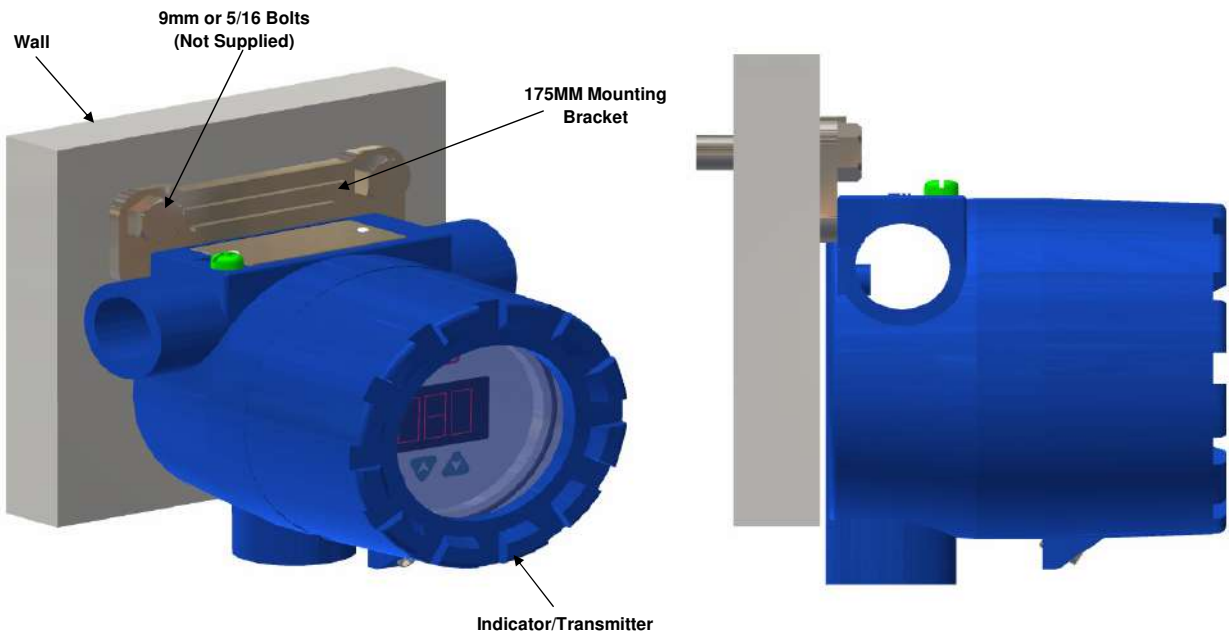
### Mounting Methods For Model 175NR

#### Pipe Mounting



### Mounting Methods For Model 175MM

#### Wall/Panel Mounting



**Mounting Bracket**

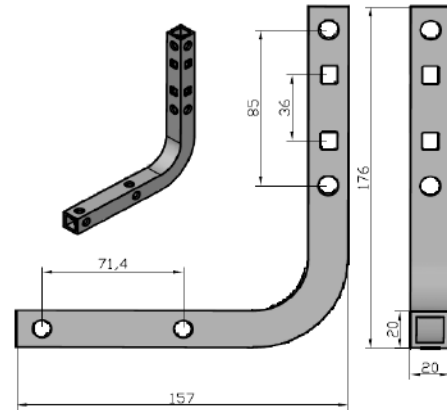
**175RC**

**Introduction**

This simple hollow square mounting bracket constructed out of SS316 Stainless Steel, can be used to mount a variety of field devices, either on a wall or panel or a 2" Pipe.

When mounting on a 2" pipe, a "U" Bolt is required, which can be supplied optionally.

IME Model 17508 consists of a complete assembly of a 2" U bolt along with the nuts and washers required.



**Mounting Bracket**

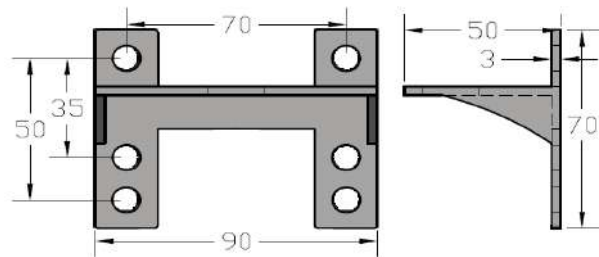
**175PM**

**Introduction**

This simple "L" Shape mounting bracket constructed out of SS316 Stainless Steel, can be used to mount a variety of field devices, either on a wall or panel or on a 2" pipe.

When mounting on a 2" pipe, a "U" Bolt is required, which can be supplied optionally.

IME Model 17508 consists of a complete assembly of a 2" U bolt along with the nuts and washers required.



**Mounting Bracket**

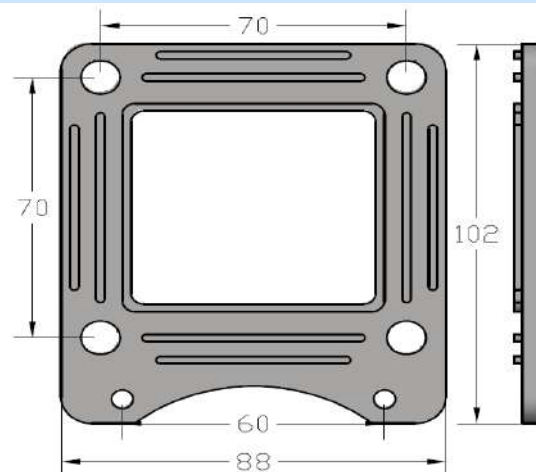
**175NR**

**Introduction**

IME MODEL 175NR is Stainless Steel Mounting Brackets made exclusively for IME MODEL 8080 Instrument Enclosure to mount on a 2" Pipe.

This Bracket is available for customers who require all 3 ports on the enclosure for other purposes.

The 175NR is symmetrical, so it can be rotated 90° to suit the viewing position of the Indicator/Transmitter.



**Mounting Bracket**

**175MM**

**Introduction**

IME MODEL 175MM is Stainless Steel Mounting Brackets made exclusively for IME MODEL 8080 Instrument Enclosure to mount on wall.

This low cost Bracket is available for customers who require all 3 ports on the enclosure for other purposes.

