

LARGE DIAMETER (2.0") TERMINAL BLOCKS

THIS FAMILY OF LARGE DIAMETER (2.0" OR 50MM) TERMINAL BLOCKS COMES IN BOTH CERAMIC AND BAKELITE BASES, AND HAS PROVISION FOR 2, 3, 4 OR 6 SINGLE POST SCREW TERMINALS OR DUAL SCREW TERMINALS. FOUR MOUNTING HOLES ARE PROVIDED, SO THE TERMINAL BLOCK CAN BE MOUNTED IN THERMOCOUPLE HEADS WITH 33MM OR 40MM CENTER TO CENTER MOUNTING PROVISIONS.

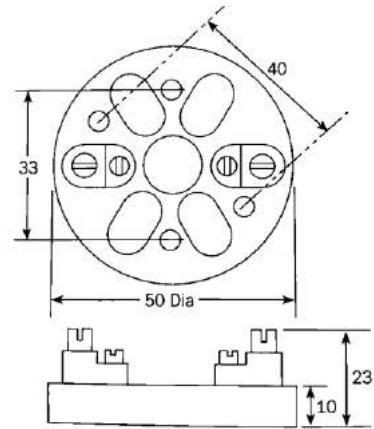
ALL MOUNTING SCREWS USED ARE MADE OF STAINLESS STEEL.

MODEL NUMBER CONFIGURATION

MODEL	DESCRIPTION
8070	2.0" CERAMIC BLOCK, DUAL SCREW TERMINALS
8071	2.0" CERAMIC BLOCK, SINGLE POST TERMINALS
8072	2.0" BAKELITE BLOCK, DUAL SCREW TERMINALS
8073	2.0" BAKELITE BLOCK, SINGLE POST TERMINALS

CODE	NUMBER OF TERMINALS
02	TWO
03	THREE
04	FOUR
06	SIX

8070 04 ← TYPICAL MODEL NUMBER



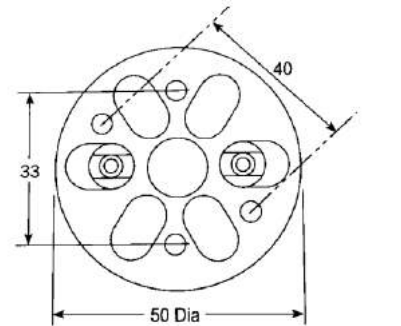
MODEL 8070, DUAL SCREW TERMINALS



8071-06



8073-06



MODEL 8071, SINGLE POST



8070-06



8072-06



8071-02

8071-03

8071-04

8071-06