

FLOW INDICATOR WITH DUAL RELAYS

8080FR

- INPUT 4 TO 20 mA DC AND PULSE
- DISPLAYS RATE AND INTEGRATED TOTAL
- 2 ALARMS ASSIGNABLE TO FLOW RATE OR TOTALIZED FLOW
- OUTPUT 4 TO 20 Ma (Retransmission)
- CHOICE OF COPPER-FREE ALUMINUM OR SS316 ENCLOSURE
- EXPLOSION PROOF CERTIFIED
- 3 YEAR WARRANTY



Introduction

IME Model 8080FR is a Digital flow indicator that accepts a 4 to 20 mA signal or pulse from a flow meter and displays the flow rate and the totalized flow. Two independent alarms can be assigned to either the flow rate or the totalized flow, making the unit ideal for batch control. In addition to that the unit also provides 4 to 20 mA output.

Description

IME Model 8080FR Flow Indicator/Totalizer is designed for use in process industries where vibration, inclement weather and corrosive atmospheres prevail. The electronics are enclosed in a copper-free epoxy coated Aluminum housing, for more aggressive environments, a SS316 housing is optionally available. The housings meet the requirements of NEMA 4X & IP68, and are also certified Explosion Proof by FM/CSA/ATEX/IECEX.





LED Meter

The flow rate and the totalized flow are scalable from the front panel and displays are updated in less than one second. All parameters can be assigned from the front panel utilizing membrane keys.

Mounting

The Model 8080FR can be wall mounted or mounted on a 2" pipe. For mounting the unit on a wall or 2" pipe, a wide choice of stainless steel mounting brackets are also available.

Certification System

	CLASS I, DIV I GROUPS B, C AND D CLASS II/III, DIV I GROUPS E, F AND G NEMA 4X, T6
	CLASS I, DIV I GROUPS B, C AND D CLASS II/III, DIV I GROUPS E, F AND G NEMA 4X, T6
	II 2G D Ex d IIC T6 Gb Ex tb IIIC T85°C Db IP68 Ta = -40°C to +60°C
	Ex d IIC T6 Gb Ex tb IIIC T85°C Db IP68 Ta = -40°C to +60°C



Functional Specifications

Indication Accuracy

0.1% of Calibrated range ± 1 digit

Display Height for Flow Rate

7.6mm (0.3"), 4 Digit LED

Display Height for Totalized Flow

7.6mm (0.3"), 6 Digit LED

Stability Over Time

0.1% of Calibrated Range ± 1 digit over 6 months

Features

2 sets SPDT, 1 form C rated 10A @250V AC, 50/60Hz

Set Point Adjustment

10 to 100% of full scale, user selectable

Reset

Automatically when the input falls below the alarm set point by approx. 0.5% of full scale.

Power Supply

18~28V DC

Operating Temperature

-40 °C to +60 °C

Weight

0.9Kg (2 lbs) for Aluminum Unit and 1.4Kg (3 lbs) for SS316 unit

Material of Construction of Enclosure

Epoxy coated Copper-Free Aluminum or SS316 as specified

O Rings

Buna N (Nitrile)

Optional Accessories

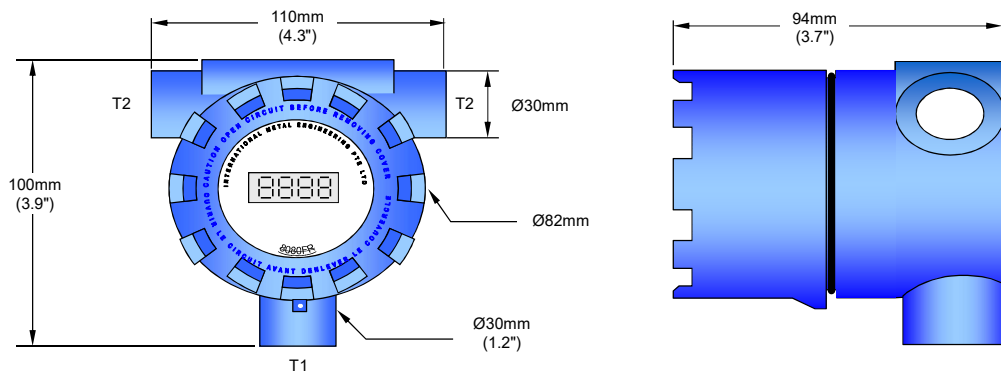
Mounting Brackets (Model 175PM, 175RC, 175NR, 175MM)

ORDERING INFORMATION FOR 8080FR

Model	Description
8080FR	Flow Indicator With Dual Relays
	Code Options, Housing
	A Die cast Aluminum, Epoxy Coated
	T SS316, Electro Polished
	Code Instrument Connection (T1) Conduit Size (T2)
	01 M16 x 2P (See note 1) ¼" NPT
	02 M16 x 2P (See note 1) ½" NPT
	03 M16 x 2P (See note 1) M20 x 1.5P
	04 ½" NPT ¼" NPT
	05 ½" NPT ½" NPT
	06 ½" NPT M20 x 1.5P
	07 ¾" NPT ¼" NPT
	08 ¾" NPT ½" NPT
	09 ¾" NPT M20 x 1.5P
	10 ½" BSP ¾" NPT
	11 ½" BSP ½" NPT
	12 ½" BSP M20 x 1.5P
	13 ¾" NPT None
	14 M20 x 1.5P None
	16 ½" BSP None
	17 ½" NPT None
	Code Certification
	NN None
	E1 FM / CSA / ATEX / IECEx Explosion Proof Certified, NEMA 4X, IP68, T6
	Code Accessories
	RC Model 175RC Mounting Bracket (See note 1)
	PM Model 175PM Mounting Bracket (See note 1)
	NR Model 175NR Mounting Bracket
	MM Model 175MM Mounting Bracket
	Code 2 Inch "U" Bolt with Nuts and Washers
	00 None
	01 Model 17508, 1 Set (For Model 175RC)
	02 Model 17508, 2 Sets (For Model 175PM & 175NR)
8080FR	A 02 E1 PM 02 ← Typical Model Number

Note:

1 Ports with M16 x 2P thread are not through holes, they are for use with Model 175RC and 175PM Mounting Brackets only.

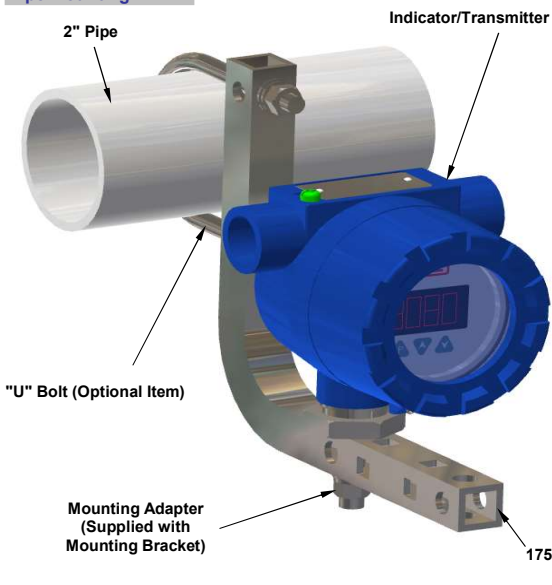


INTERNATIONAL METAL ENGINEERING

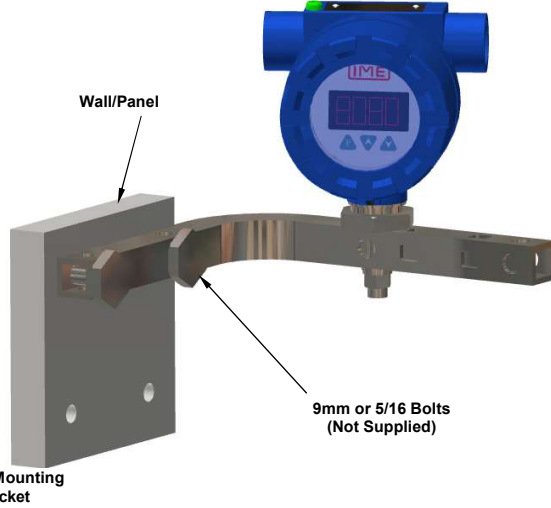
MOUNTING BRACKETS FOR INDICATORS AND TRANSMITTERS

Mounting Methods For Model 175RC

Pipe Mounting

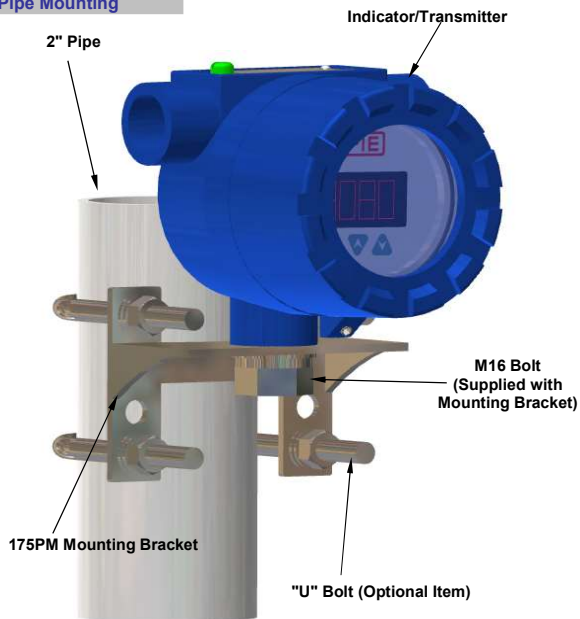


Wall / Panel Mounting

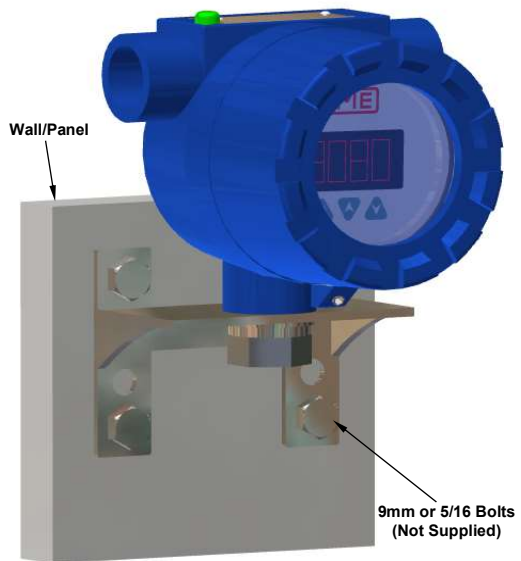


Mounting Methods For Model 175PM

Pipe Mounting



Wall / Panel Mounting

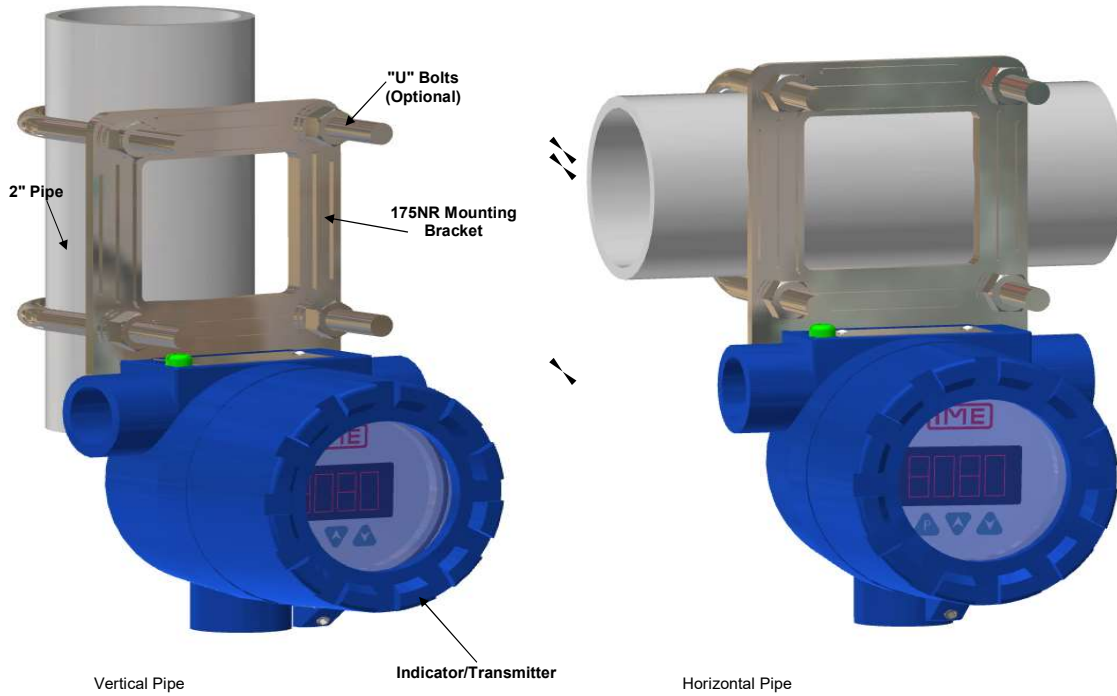


INTERNATIONAL METAL ENGINEERING

MOUNTING BRACKETS FOR INDICATORS AND TRANSMITTERS

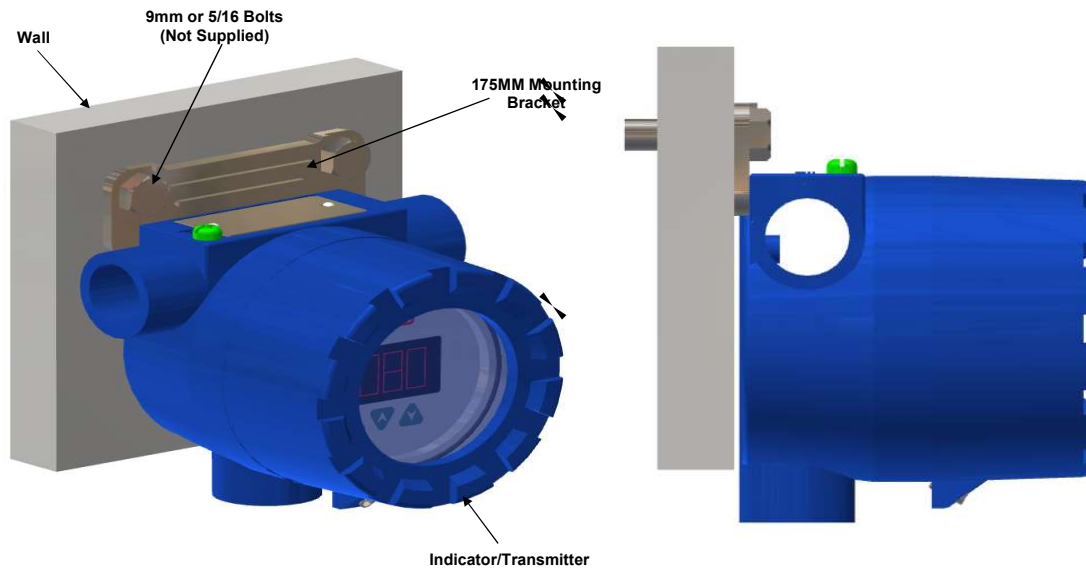
Mounting Methods For Model 175NR

Pipe Mounting



Mounting Methods For Model 175MM

Wall/Panel Mounting



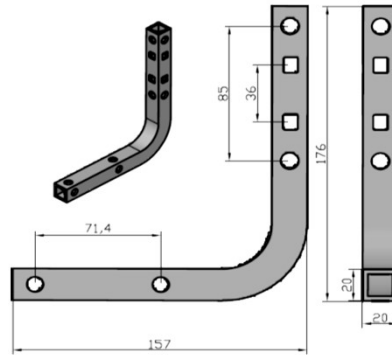
Mounting Bracket

175RC

Introduction

This simple hollow square mounting bracket constructed out of SS316 Stainless Steel, can be used to mount a variety of field devices, either on a wall or panel or a 2" Pipe.

When mounting on a 2" pipe, a "U" Bolt is required, which can be supplied optionally.
 IME Model 17508 consists of a complete assembly of a 2" U bolt along with the nuts and washers required.



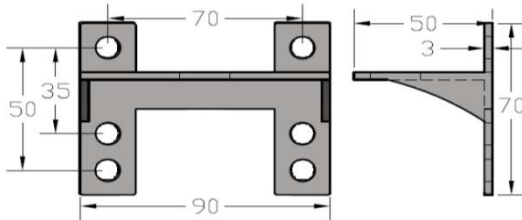
Mounting Bracket

175PM

Introduction

This simple "L" Shape mounting bracket constructed out of SS316 Stainless Steel, can be used to mount a variety of field devices, either on a wall or panel or on a 2" pipe.

When mounting on a 2" pipe, a "U" Bolt is required, which can be supplied optionally.
 IME Model 17508 consists of a complete assembly of a 2" U bolt along with the nuts and washers required.



Mounting Bracket

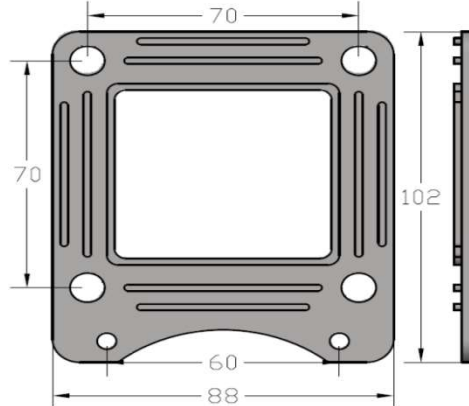
175NR

Introduction

IME MODEL 175NR is Stainless Steel Mounting Brackets made exclusively for IME MODEL 8080 Instrument Enclosure to mount on a 2" Pipe.

This Bracket is available for customers who require all 3 ports on the enclosure for other purposes.

The 175NR is symmetrical, so it can be rotated 90° to suit the viewing position of the Indicator/Transmitter.



Mounting Bracket

175MM

Introduction

IME MODEL 175MM is Stainless Steel Mounting Brackets made exclusively for IME MODEL 8080 Instrument Enclosure to mount on wall.

This low cost Bracket is available for customers who require all 3 ports on the enclosure for other purposes.

