

- 4 TO 20 mA INPUT
- 4 DIGIT LED DISPLAY IN ENGINEERING UNITS
- CHOICE OF COPPER-FREE ALUMINUM OR SS316 ENCLOSURE
- TWO INDEPENDENT USER ASSIGNABLE ALARMS
- EXPLOSION PROOF CERTIFIED
- OUTPUT 4 TO 20 Ma (Retransmission)
- 3 YEAR WARRANTY



### Introduction

IME Model 8080RR Digital Indicator allows the process variable from any transmitter to be monitored in engineering units and two corresponding alarms to be assigned. Both alarms can be assigned either high or low within the selected range. In addition to that the unit also provides 4 to 20 mA output.

### Description

IME Model 8080RR Indicators are designed for use in process industries where vibration, inclement weather and corrosive atmospheres prevail. The electronics are enclosed in a copper-free epoxy coated Aluminum housing and for more aggressive environments, a SS316 housing is optionally available. The housings meet the requirements of NEMA 4X & IP68, and are also certified Explosion Proof by FM/CSA/ATEX/IECEX.





### LED Meter

The Model 8080RR has 4 digit display and can be configured to read from -999 to 9999 with a 4~20 mA input signal. The decimal point location, engineering units, alarm settings, etc can be adjusted using membrane key on the front panel.

### Mounting

The Model 8080RR can be wall mounted or mounted on a 2" pipe. For mounting the unit on a wall or 2" pipe, a wide choice of stainless steel mounting brackets are also available.

### Certification System

	CLASS I, DIV I GROUPS B, C AND D CLASS II/III, DIV I GROUPS E, F AND G NEMA 4X, T6
	CLASS I, DIV I GROUPS B, C AND D CLASS II/III, DIV I GROUPS E, F AND G
	II 2G D Ex d IIC T6 Gb Ex tb IIIC T85°C Db IP68 Ta = -40°C to +60°C
	Ex d IIC T6 Gb Ex tb IIIC T85°C Db IP68 Ta = -40°C to +60°C



### Functional Specifications

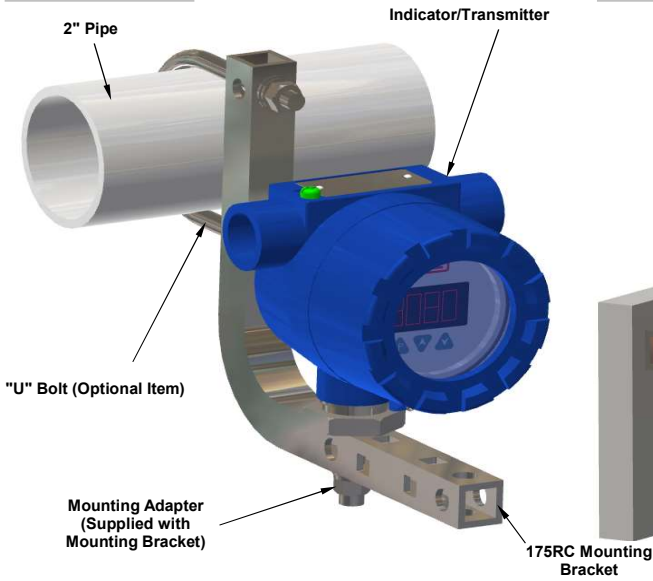
<b>Indication Accuracy</b>	0.1% of calibrated range ±1 digit
<b>Set Point Adjustment</b>	10~100% of full scale, user selectable
<b>Reset</b>	Automatically when the input falls below the alarm set point by approximately ±0.5% of full scale.
<b>Alarm Set Point Accuracy</b>	±0.5% of full scale.
<b>Alarm Status Indication</b>	LED on front panel
<b>Display Height</b>	10mm (0.4") high
<b>Alarm Output</b>	2 sets SPDT, 1 form C, rated 10A @ 250V AC, 50/60Hz
<b>Stability Over Time</b>	0.1% of calibrated range ±1 digit over 6 months
<b>Over Range Indication</b>	Flashing of display
<b>Response Time</b>	Typically 75ms
<b>Supply Voltage</b>	18~28V DC
<b>Operating Temperature</b>	-40°C to +60°C
<b>Weight</b>	0.9Kg (2 lbs) for Aluminum Unit and 1.4Kg (3 lbs) for SS316 Unit
<b>Material of Construction of Enclosure</b>	Epoxy coated Copper-Free Aluminum or SS316 as specified
<b>O Rings</b>	Buna N (Nitrile)
<b>Optional Accessories</b>	Mounting Brackets (Model 175PM, 175RC, 175NR, 175MM)



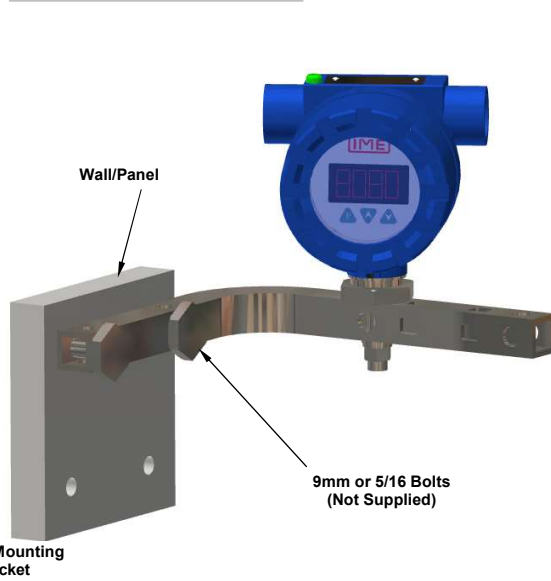
## MOUNTING BRACKETS FOR INDICATORS AND TRANSMITTERS

### Mounting Methods For Model 175RC

#### Pipe Mounting

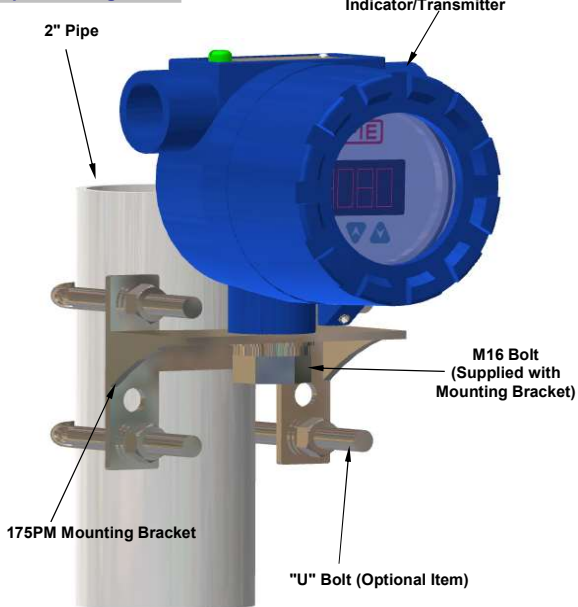


#### Wall / Panel Mounting

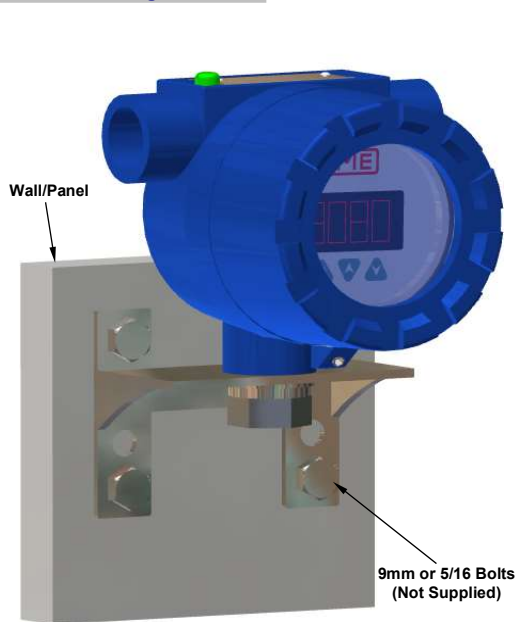


### Mounting Methods For Model 175PM

#### Pipe Mounting



#### Wall / Panel Mounting

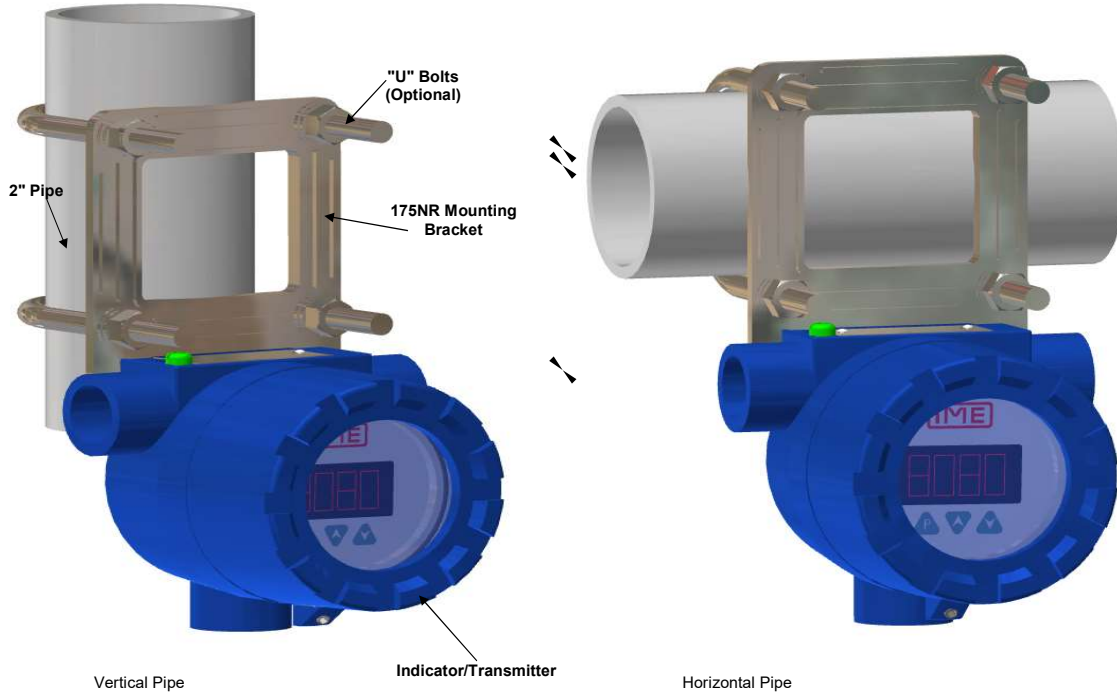


# INTERNATIONAL METAL ENGINEERING

## MOUNTING BRACKETS FOR INDICATORS AND TRANSMITTERS

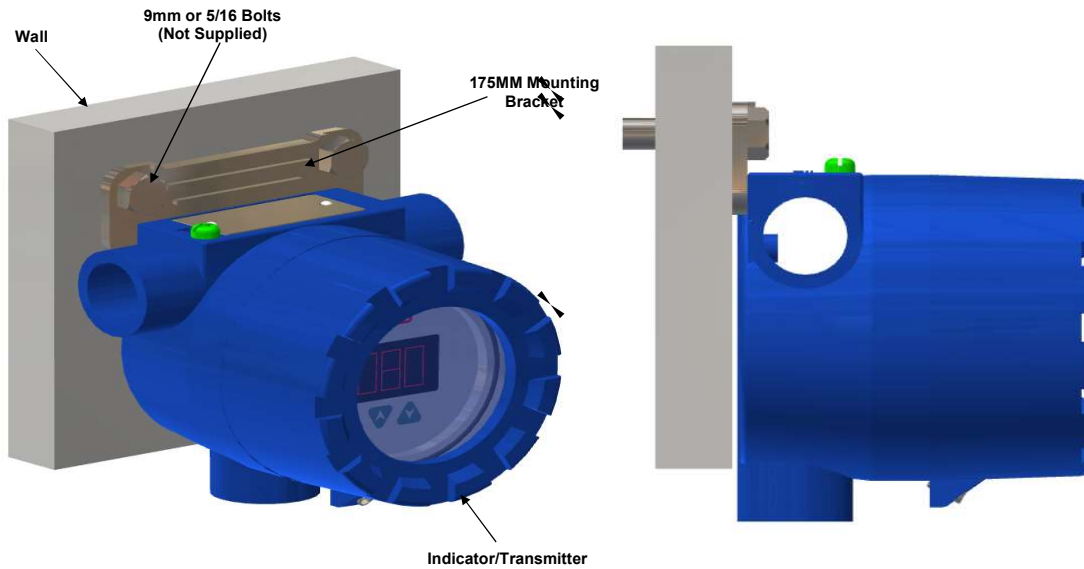
### Mounting Methods For Model 175NR

#### Pipe Mounting



### Mounting Methods For Model 175MM

#### Wall/Panel Mounting



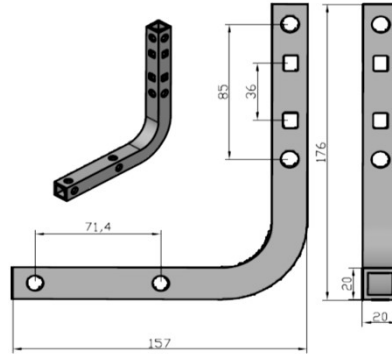
**Mounting Bracket**

**175RC**

**Introduction**

This simple hollow square mounting bracket constructed out of SS316 Stainless Steel, can be used to mount a variety of field devices, either on a wall or panel or a 2" Pipe.

When mounting on a 2" pipe, a "U" Bolt is required, which can be supplied optionally.  
 IME Model 17508 consists of a complete assembly of a 2" U bolt along with the nuts and washers required.



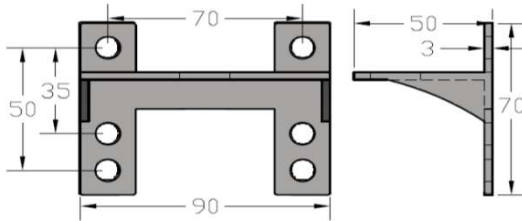
**Mounting Bracket**

**175PM**

**Introduction**

This simple "L" Shape mounting bracket constructed out of SS316 Stainless Steel, can be used to mount a variety of field devices, either on a wall or panel or on a 2" pipe.

When mounting on a 2" pipe, a "U" Bolt is required, which can be supplied optionally.  
 IME Model 17508 consists of a complete assembly of a 2" U bolt along with the nuts and washers required.



**Mounting Bracket**

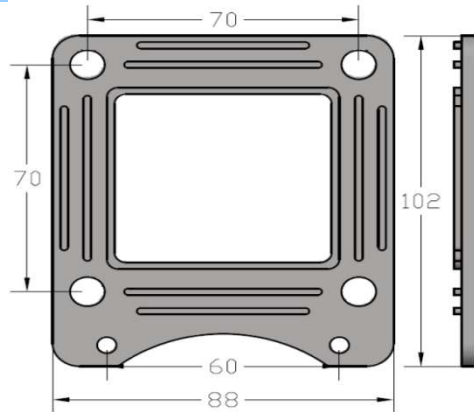
**175NR**

**Introduction**

IME MODEL 175NR is Stainless Steel Mounting Brackets made exclusively for IME MODEL 8080 Instrument Enclosure to mount on a 2 " Pipe.

This Bracket is available for customers who require all 3 ports on the enclosure for other purposes.

The 175NR is symmetrical, so it can be rotated 90° to suit the viewing position of the Indicator/Transmitter.



**Mounting Bracket**

**175MM**

**Introduction**

IME MODEL 175MM is Stainless Steel Mounting Brackets made exclusively for IME MODEL 8080 Instrument Enclosure to mount on wall.

This low cost Bracket is available for customers who require all 3 ports on the enclosure for other purposes.

